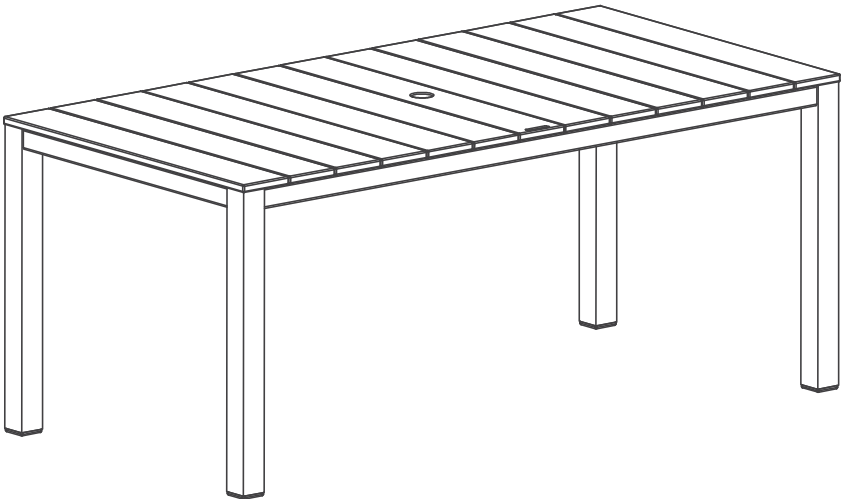


— WELCOME TO —

# TANGENTWOOD

## Assembly Instructions



## PARK CITY DINING TABLE

Thank you for your purchase of Tangentwood furniture. If you have any questions or need assistance with assembly, please contact our customer care team through our website or email us at [info@tangentwood.com](mailto:info@tangentwood.com).

Tangentwood Brands Include:

**DUROGreen®**  
MADE WITH TANGENTWOOD



# Thank you for choosing Tangentwood!

We create strong, stylish and sustainable furniture to elevate your outdoor living. Our all-weather outdoor furniture is made from durable Tangentwood, the most luxurious HDPE lumber available. Our furniture comes with a commitment to excellence shown through our 20-year limited residential warranty. Rest easy knowing your all-weather chair will look this good for years to come.

**TANGENTWOOD**

# TANGENTWOOD

Furniture made with Tangentwood is designed to stay outdoors all year round.

No maintenance required. Tangentwood will not crack, peel, warp or splinter. It never needs staining, waterproofing or painting.

Tangentwood furniture is made with recycled plastic and marine-grade stainless steel hardware.

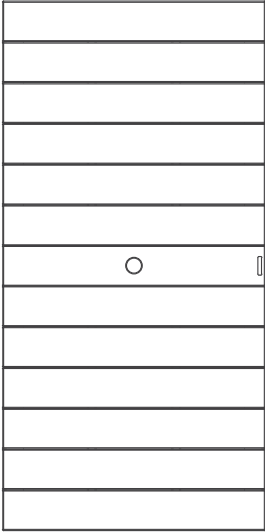

Simply clean with soap and water.

Tangentwood furniture is tested to the BIFMA 5.1 standard. Weight capacity: 300lbs



Proudly made in the USA.

Ships ready to assemble with easy step-by-step instructions.


# COMPONENT LIST

ITEM	PICTURE	DESCRIPTION	QTY.
A		Table Top	1
B		Leg	4

# HARDWARE LIST

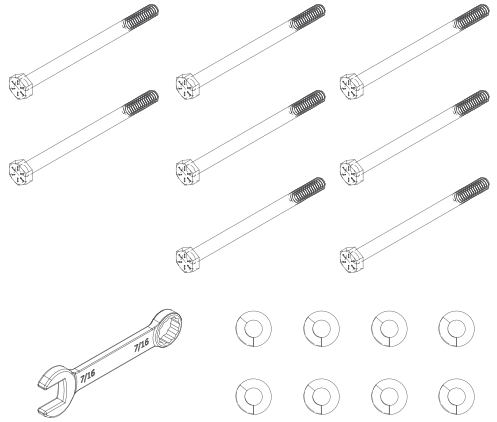
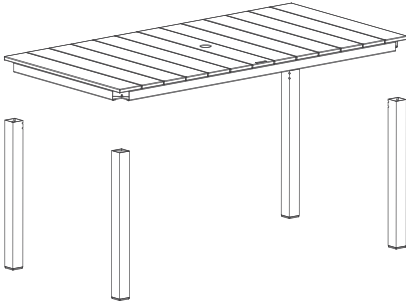
ITEM	PICTURE	DESCRIPTION	QTY.
H-1		Hex Head Screw 1/4"-20 x 3-1/2"	8
H-2		Washer, Med Lock 5/16"	8

# TOOL LIST

ITEM	PICTURE	DESCRIPTION	QTY.
T-1		7/16 Wrench (Not included)	1

# ASSEMBLY PREPARATION

Before  
Beginning:



Unpack all hardware bags and components to ensure you have all parts. Take note of bolt hardware size differences and components that may have directional labels (Example: TOP or FRONT).



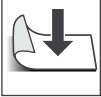
Read the assembly instructions, cover to cover.



It is always recommended to have two adults on hand for assembly.



Do not assemble on hard, abrasive flooring or carpeted surfaces that can damage or get caught in the components during assembly.



Assemble on a clean, non-marring surface.



Do not discard any packaging until the product has been fully assembled.



In case of missing parts, please email our customer care team at [info@tangentwood.com](mailto:info@tangentwood.com).



**WARNING:** Small parts are a choking hazard. Adult supervision is required before, during and after assembly.

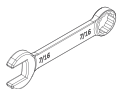
# Step 1 Installing the Legs



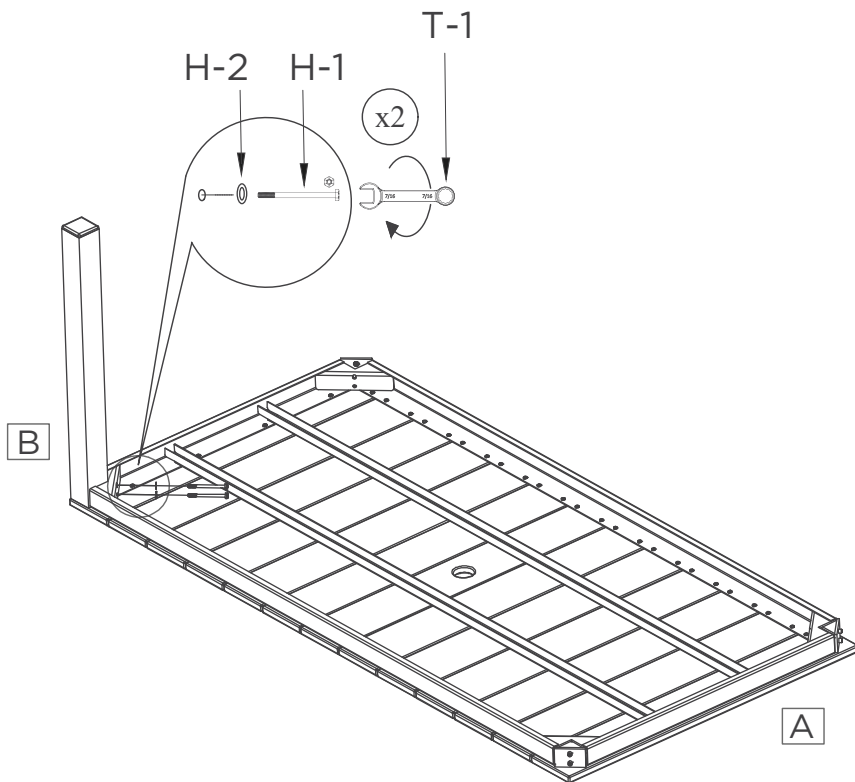
(H-1) Hex Head Screw x 2



(H-2) Washer x 2



(T-1) 7/16 Wrench



Place Table Top (A) upside down on a flat surface. Attach first Leg (B) by fitting the leg into one of the corners of the table. The leg should be inserted with the screw hole side down and pointing toward the center of the table. This will line up the holes with the mounting plate on the Table Top (A). Fasten using two Machine Screws (H-1) with Washers (H-2) and tighten with the Wrench (T-1). Do not yet fully tighten.

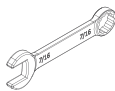
## Step 2 Installing the Legs



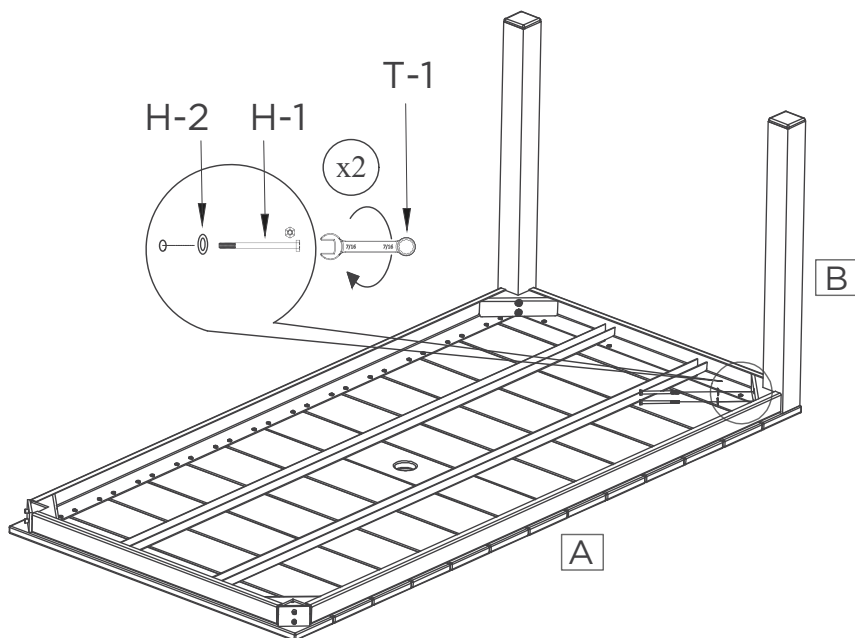
(H-1) Hex Head Screw x 6



(H-2) Washer x 6



(T-1) 7/16 Wrench

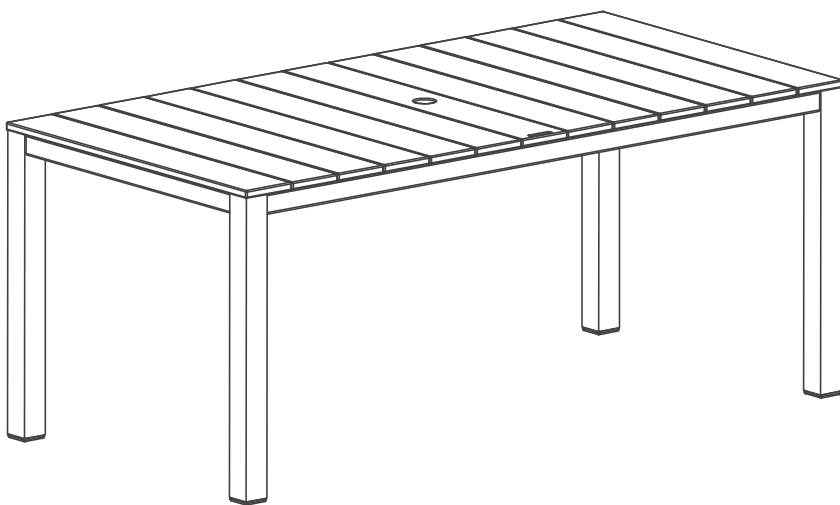


Repeat for the three other legs. Flip table upside right and tighten all screws. Fully tighten all hardware from this step and all previous steps. DO NOT OVER-TIGHTEN.



## Step 3 Completed

# TANGENTWOOD



Assembly is now complete and the product is ready for use.

**NOTE:** Hardware may loosen over time. Periodically check that all connections remain tight and adjust as needed.