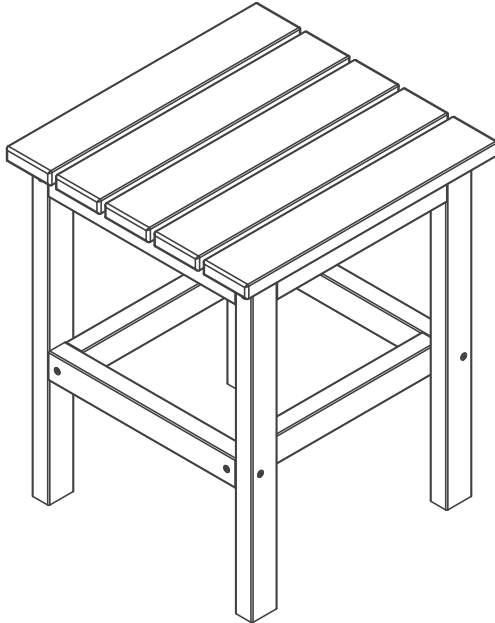


— WELCOME TO —

TANGENTWOOD

Assembly Instructions



CLASSIC SIDE TABLE

Thank you for your purchase of Tangentwood furniture. If you have any questions or need assistance with assembly, please contact our customer care team through our website or email us at info@tangentwood.com.

Tangentwood Brands Include:

DUROGreen®
MADE WITH TANGENTWOOD



Thank you for choosing Tangentwood!

We create strong, stylish and sustainable furniture to elevate your outdoor living. Our all-weather outdoor furniture is made from durable Tangentwood, the most luxurious HDPE lumber available. Our furniture comes with a commitment to excellence shown through our 20-year limited residential warranty. Rest easy knowing your all-weather chair will look this good for years to come.

TANGENTWOOD

TANGENTWOOD

Furniture made with Tangentwood is designed to stay outdoors all year round.

No maintenance required. Tangentwood will not crack, peel, warp or splinter. It never needs staining, waterproofing or painting.

Tangentwood furniture is made with recycled plastic and marine-grade stainless steel hardware.


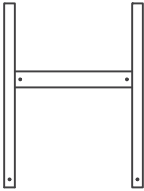

Simply clean with soap and water.

Tangentwood furniture is tested to the BIFMA 5.1 standard. Weight capacity: 100lbs

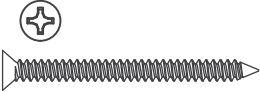
Proudly made in the USA.

Ships ready to assemble with easy step-by-step instructions.


COMPONENT LIST

ITEM	PICTURE	DESCRIPTION	QTY.
A	 A technical drawing of a table top, consisting of four parallel horizontal rectangular sections stacked vertically.	Table Top	1
B	 A technical drawing of a leg assembly, showing two vertical rectangular legs connected by a horizontal crossbar. Small circles at the ends of the legs indicate screw holes.	Leg Assembly	2
C	 A technical drawing of a single horizontal rectangular brace.	Brace	2

HARDWARE LIST

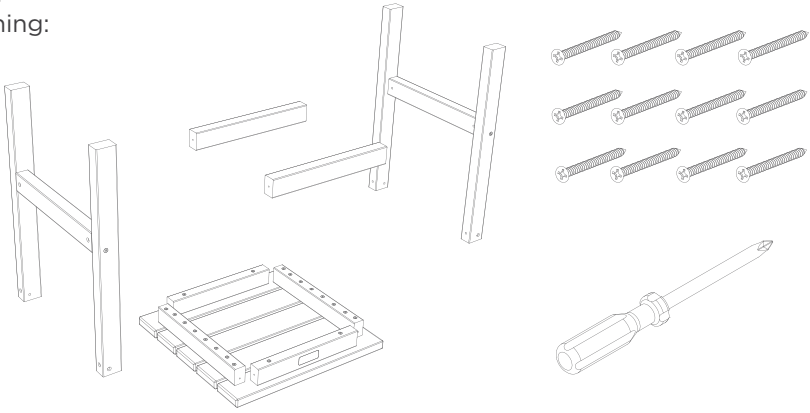
ITEM	PICTURE	DESCRIPTION	QTY.
H-1	 A line drawing of a Phillips head screw. Above the screw head is a circular icon containing a cross symbol, representing the Phillips head. The screw has a pointed tip and a threaded shaft.	Phillips Head Screw 2"	12

TOOL LIST

ITEM	PICTURE	DESCRIPTION	QTY.
T-1	 A line drawing of a #2 Phillips screwdriver. It features a long, tapered metal shaft with a Phillips head at one end and a handle with a textured grip at the other.	#2 Phillips Screwdriver (Not included)	

ASSEMBLY PREPARATION

Before
Beginning:



Unpack all hardware bags and components to ensure you have all parts. Take note of bolt hardware size differences and components that may have directional labels (Example: TOP or FRONT).



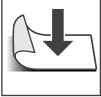
Read the assembly instructions, cover to cover.



It is always recommended to have two adults on hand for assembly.



Do not assemble on hard, abrasive flooring or carpeted surfaces that can damage or get caught in the components during assembly.



Assemble on a clean, non-marring surface.



Do not discard any packaging until the product has been fully assembled.




In case of missing parts, please email our customer care team at info@tangentwood.com.

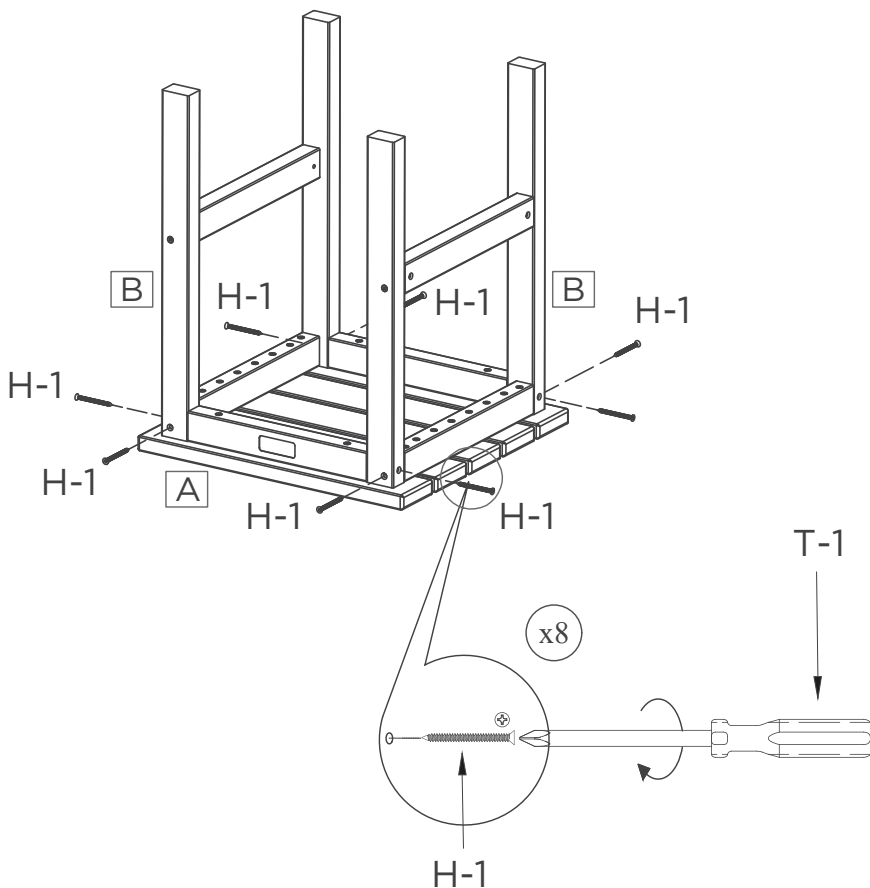


WARNING: Small parts are a choking hazard. Adult supervision is required before, during and after assembly.

Step 1 Installing the Leg Assemblies

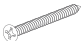
 (H-1) Phillips Head Screw x 8

 (T-1) Phillips Screwdriver

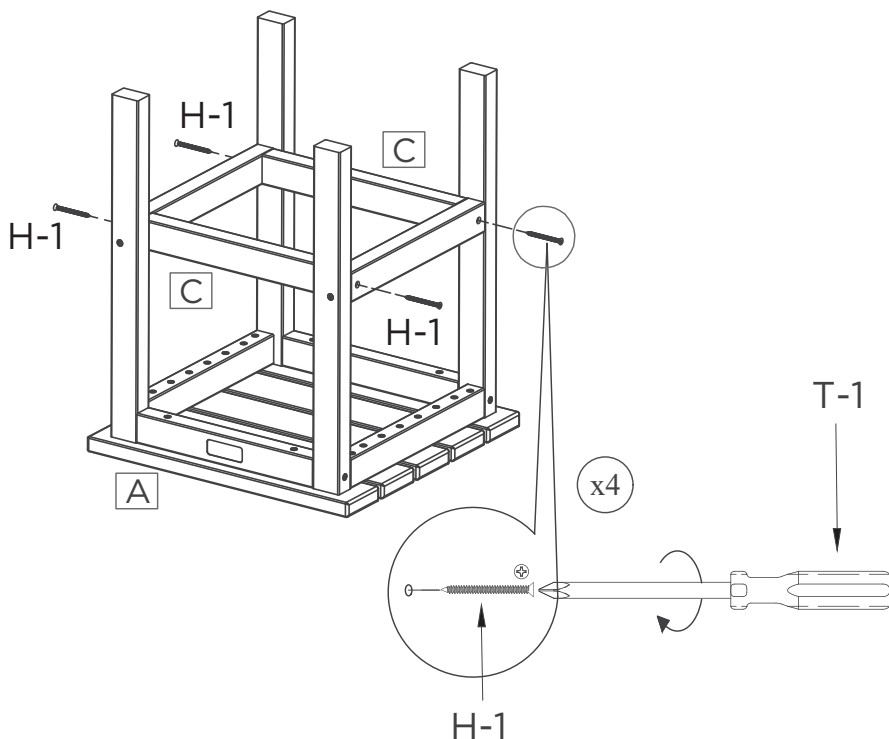


Place the Tabletop (A) upside down on a flat surface. Install the first Leg Assembly (B) onto the tabletop. Fasten using four Phillips Head Screws (H-1) and a Phillips Screwdriver (T-1). Repeat for the other Leg Assembly (B). Do not yet fully tighten.

Step 2 Installing the Braces

 (H-1) Phillips Head Screw x 4

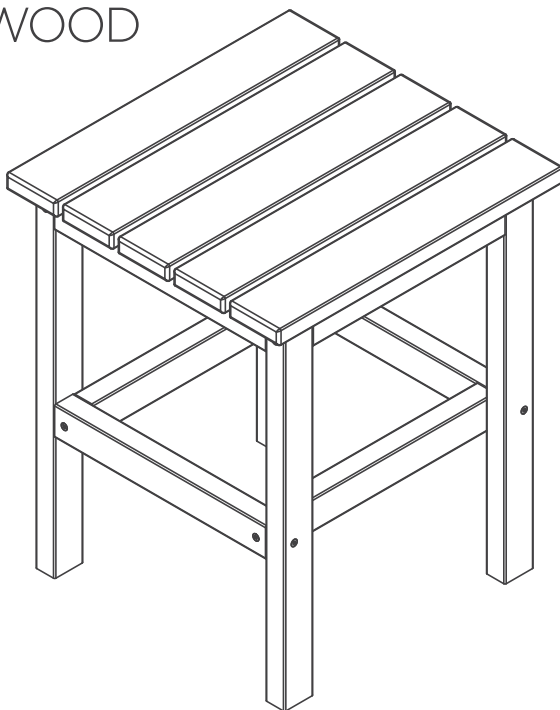
 (T-1) Phillips Screwdriver



Place the Brace (C) in place and fasten using two Phillips Head Screws (H-1) and a Phillips Screwdriver (T-1). Repeat for the other Brace (C). Fully tighten all hardware from this step and all previous steps. **DO NOT OVER-TIGHTEN.**

Step 3 Completed

TANGENTWOOD



Assembly is now complete and the product is ready for use.

NOTE: Hardware may loosen over time. Periodically check that all connections remain tight and adjust as needed.