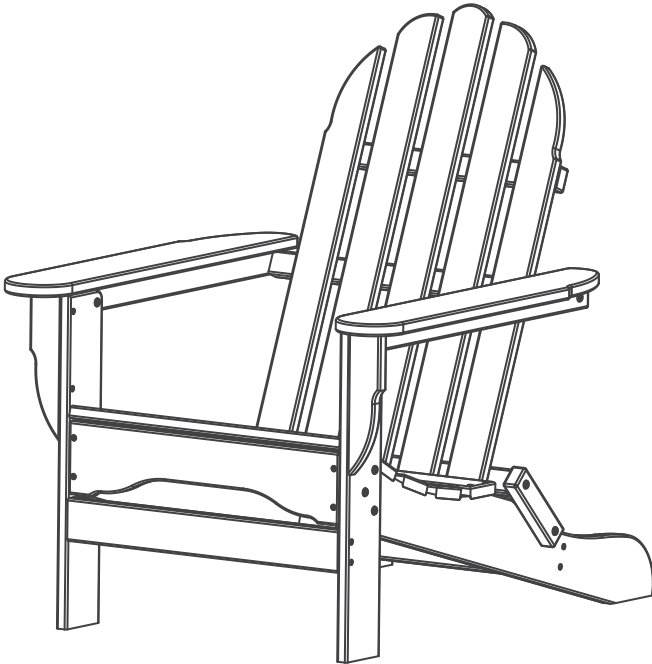


— WELCOME TO —

TANGENTWOOD

Assembly Instructions



CLASSIC ADIRONDACK CHAIR

Thank you for your purchase of Tangentwood furniture. If you have any questions or need assistance with assembly, please contact our customer care team through our website or email us at info@tangentwood.com.

Tangentwood Brands Include:

DUROGreen®
MADE WITH TANGENTWOOD



Thank you for choosing Tangentwood!

We create strong, stylish and sustainable furniture to elevate your outdoor living. Our all-weather outdoor furniture is made from durable Tangentwood, the most luxurious HDPE lumber available. Our furniture comes with a commitment to excellence shown through our 20-year limited residential warranty. Rest easy knowing your all-weather chair will look this good for years to come.

TANGENTWOOD

TANGENTWOOD

Furniture made with Tangentwood is designed to stay outdoors all year round.

No maintenance required. Tangentwood will not crack, peel, warp or splinter. It never needs staining, waterproofing or painting.

Tangentwood furniture is made with recycled plastic and marine-grade stainless steel hardware.

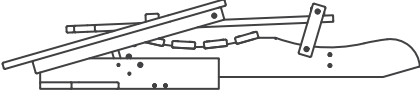
Simply clean with soap and water.

Tangentwood furniture is tested to the BIFMA 5.1 standard. Weight capacity: 300lbs

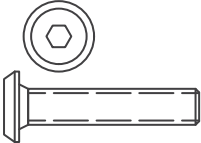
Proudly made in the USA.

Ships ready to assemble with easy step-by-step instructions.

COMPONENT LIST

ITEM	PICTURE	DESCRIPTION	QTY.
A		Folded Chair	1

HARDWARE LIST

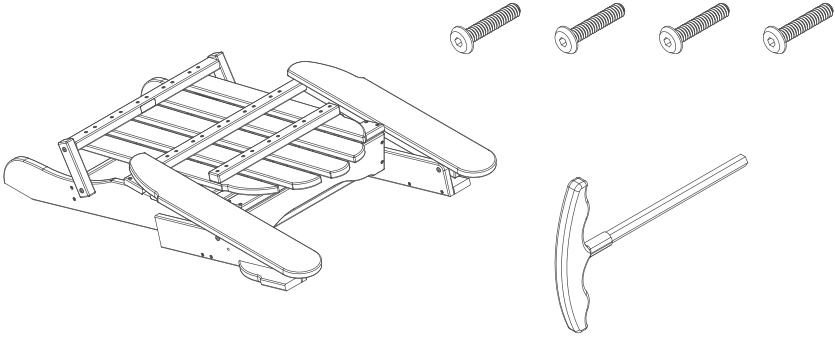
ITEM	PICTURE	DESCRIPTION	QTY.
H-1	 A technical drawing of a machine screw and a matching hexagonal nut. The screw is shown in profile, and the nut is shown above it.	Machine Screw 1-1/4"	4

TOOL LIST

ITEM	PICTURE	DESCRIPTION	QTY.
T-1	 A technical drawing of a T-handle Allen wrench. It features a long, thin shaft with a T-shaped handle at one end.	T-Handle Allen Wrench	1

ASSEMBLY PREPARATION

Before
Beginning:



Unpack all hardware bags and components to ensure you have all parts. Take note of bolt hardware size differences and components that may have directional labels (Example: TOP or FRONT).



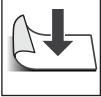
Read the assembly instructions, cover to cover.



It is always recommended to have two adults on hand for assembly.



Do not assemble on hard, abrasive flooring or carpeted surfaces that can damage or get caught in the components during assembly.



Assemble on a clean, non-marring surface.



Do not discard any packaging until the product has been fully assembled.



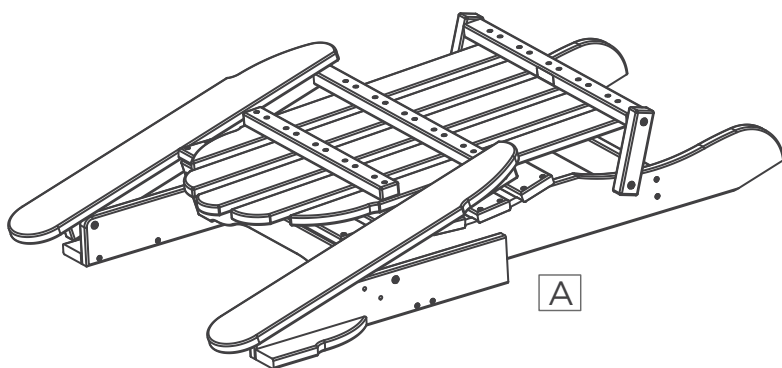
In case of missing parts, please email our customer care team at info@tangentwood.com.



WARNING: Small parts are a choking hazard. Adult supervision is required before, during and after assembly.

Step 1 Unfolding the Chair

Folded Storage Position



Pull upward on the top edge of the seat back. The chair will begin to unfold. Before completely unfolding, make sure the lower back support is in the forward position for upright assembly.

NOTE: Before unfolding the chair, make sure the back is facing upward and the legs are on the floor. The chair will not unfold if it is upside down.

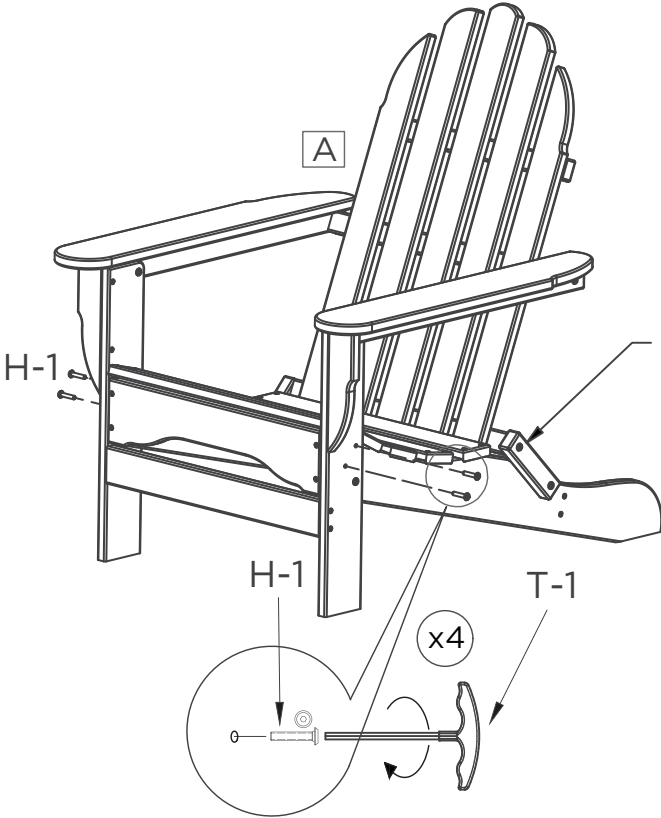
Step 2 Fastening Screws



(H-1) Machine Screw x 4



(T-1) T-Handle Allen Wrench



Make sure lower back support is in the forward position for upright assembly.

Insert two machine screws (H-1) on each side. Tighten with the T-Handle Allen Wrench (T-1). DO NOT OVER-TIGHTEN.

Step 3 Completed

TANGENTWOOD



Assembly is now complete and the product is ready for use.

NOTE: Hardware may loosen over time. Periodically check that all connections remain tight and adjust as needed.