

— WELCOME TO —

TANGENTWOOD

Assembly Instructions



ARIA ADIRONDACK CHAIR

Thank you for your purchase of Tangentwood furniture. If you have any questions or need assistance with assembly, please contact our customer care team through our website or email us at info@tangentwood.com.

Tangentwood Brands Include:

DUROGreen®
MADE WITH TANGENTWOOD



Thank you for choosing Tangentwood!

We create strong, stylish and sustainable furniture to elevate your outdoor living. Our all-weather outdoor furniture is made from durable Tangentwood, the most luxurious HDPE lumber available. Our furniture comes with a commitment to excellence shown through our 20-year limited residential warranty. Rest easy knowing your all-weather chair will look this good for years to come.

TANGENTWOOD

TANGENTWOOD

Furniture made with Tangentwood is designed to stay outdoors all year round.

No maintenance required. Tangentwood will not crack, peel, warp or splinter. It never needs staining, waterproofing or painting.

Tangentwood furniture is made with recycled plastic and marine-grade stainless steel hardware.

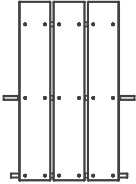
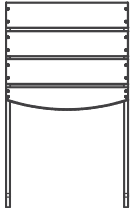




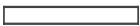

Simply clean with soap and water.

Tangentwood furniture is tested to the BIFMA 5.1 standard. Weight capacity: 300lbs

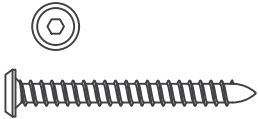
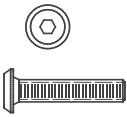
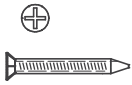
Proudly made in the USA.

Ships ready to assemble with easy step-by-step instructions.

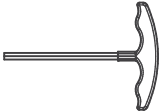

COMPONENT LIST

ITEM	PICTURE	DESCRIPTION	QTY.
A		Back	1
B		Seat Assembly	1
C		Left Front Leg	1
D		Right Front Leg	1
E		Left Arm	1
F		Right Arm	1
G		Back Brace	1
H		Front Brace (Longer)	1

HARDWARE LIST

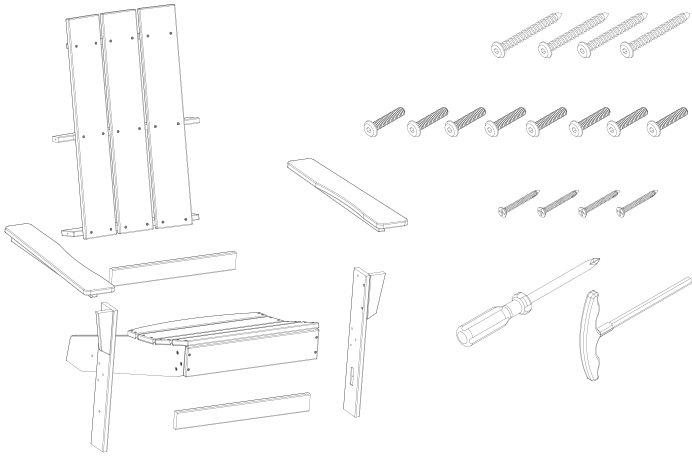
ITEM	PICTURE	DESCRIPTION	QTY.
H-1		Lag Screw 1/4" x 2-1/2"	4
H-2		Small Machine Screw 1/4"-20 x 1-1/4"	8
H-3		Phillips Screw #8 x 1-1/2"	4

TOOL LIST

ITEM	PICTURE	DESCRIPTION	QTY.
T-1		T-Handle Allen Wrench	1
T-2		#2 Phillips Screwdriver (Not Included)	

ASSEMBLY PREPARATION

Before
Beginning:



Unpack all hardware bags and components to ensure you have all parts. Take note of bolt hardware size differences and components that may have directional labels (Example: TOP or FRONT).



Read the assembly instructions, cover to cover.



It is always recommended to have two adults on hand for assembly.



Do not assemble on hard, abrasive flooring or carpeted surfaces that can damage or get caught in the components during assembly.



Assemble on a clean, non-marring surface.



Do not discard any packaging until the product has been fully assembled.



In case of missing parts, please email our customer care team at info@tangentwood.com.

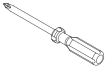


WARNING: Small parts are a choking hazard. Adult supervision is required before, during and after assembly.

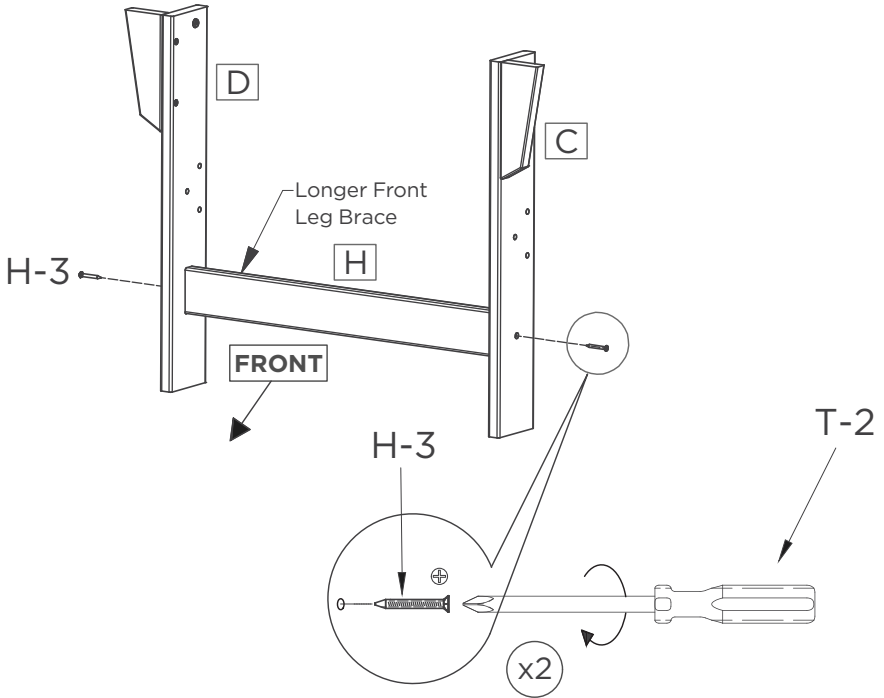
Step 1 Installing the Front Brace



(H-3) Phillips Screw x 2



(T-2) Phillips Screwdriver



Install the longer Front Brace (H) into the pocket of the Right Front Leg (D). Fasten using the Phillips Screw (H-3) with a Phillips Screwdriver (T-2). Fit the longer Front Brace (H) into the pocket of the Left Front Leg (C). Fasten using the Phillips Screw (H-3) with a Phillips Screwdriver (T-2). Do not yet fully tighten.

IMPORTANT:

Use the longer Front Brace (H), instead of the shorter Back Brace (G).

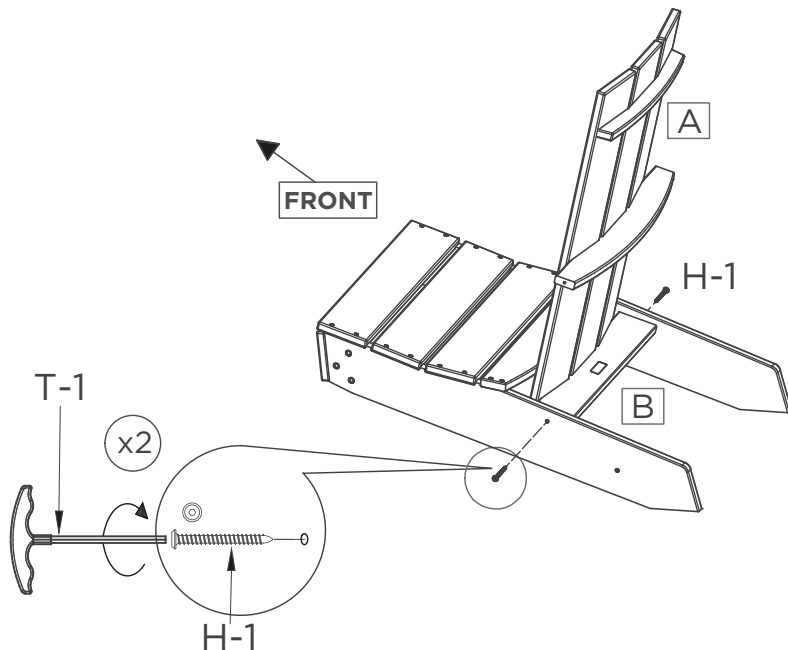
Step 2 Installing the Back



(H-1) Lag Screw x 2



(T-1) T-Handle Allen Wrench

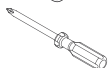


Install the Back (A) by fitting it into the pockets of the back of the Seat Assembly (B). Fasten using a Lag Screw (H-1) on each side with the T-Handle Allen Wrench (T-1). Do not yet fully tighten.

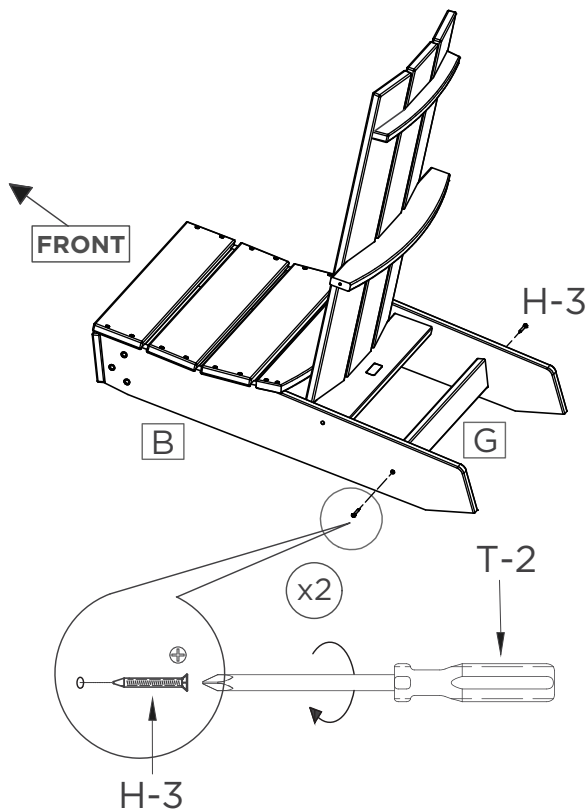
Step 3 Installing the Back Brace



(H-3) Phillips Screw x 2



(T-2) Phillips Screwdriver



Install the shorter Back Brace (G) into the pockets of the Seat Assembly (B). Fasten using a Phillips Screw (H-3) with a Phillips Screwdriver (T-2) on each side. Do not yet fully tighten.

IMPORTANT:

Use the shorter Back Brace (G), instead of the longer Front Brace (H).

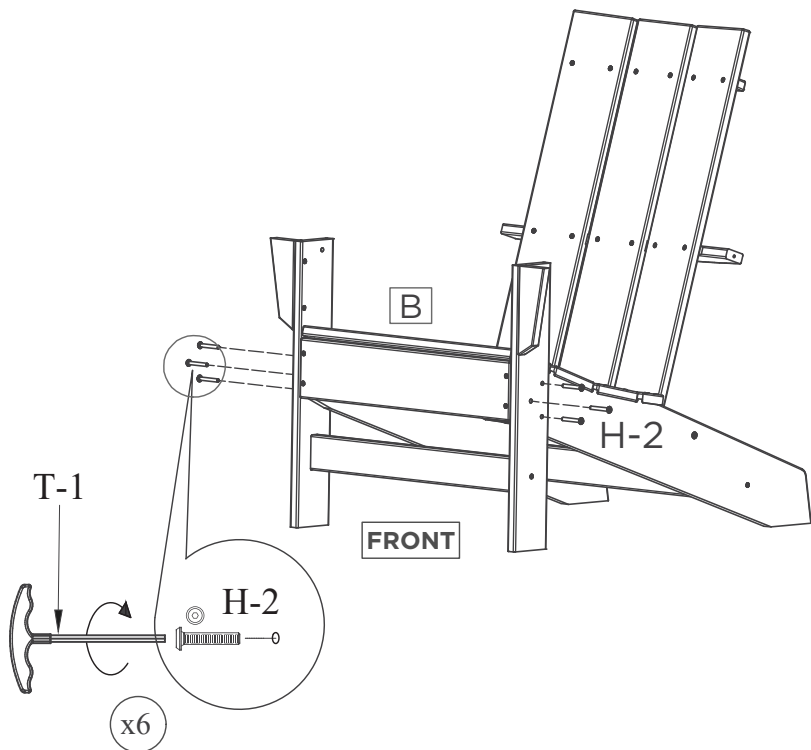
Step 4 Installing the Front Legs



(H-2) Small Machine Screw x 6



(T-1) T-Handle Allen Wrench



Install the front leg assembly you created in Step 1 on the front of the Seat Assembly (B). Insert three Small Machine Screws (H-2) into the holes on each side and tighten using the T-Handle Allen Wrench (T-1). Complete for both sides. Do not yet fully tighten.

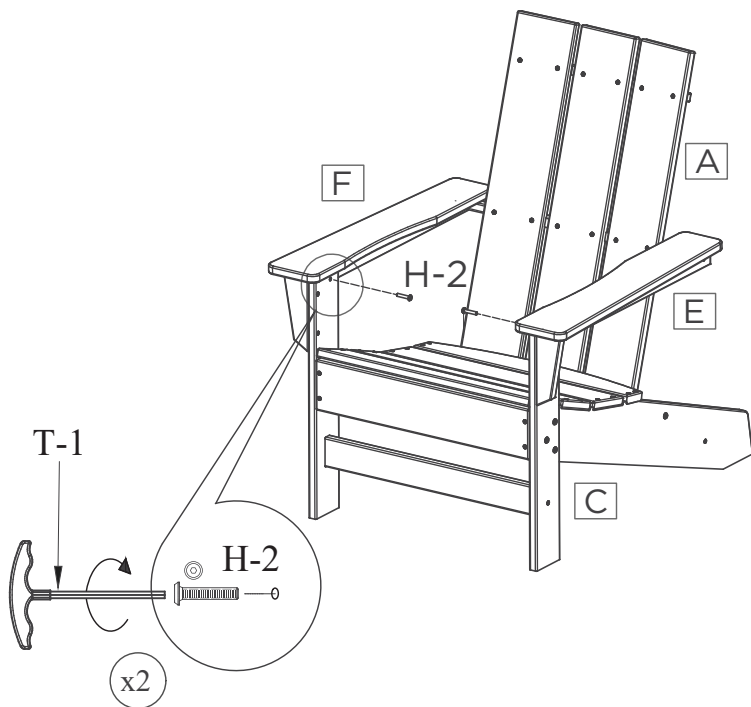
Step 5 Installing the Arms



(H-2) Small Machine Screw x 2



(T-1) T-Handle Allen Wrench



Rest the Left Arm (E) on the Left Front Leg (C) and the left side of the Back Brace (A). The arm should be on the outside of the leg. Fasten the arm down using a Small Machine Screw (H-2) on the leg side. Tighten with the T-Handle Allen Wrench (T-1) and repeat this process for the Right Arm (F). Do not yet fully tighten.

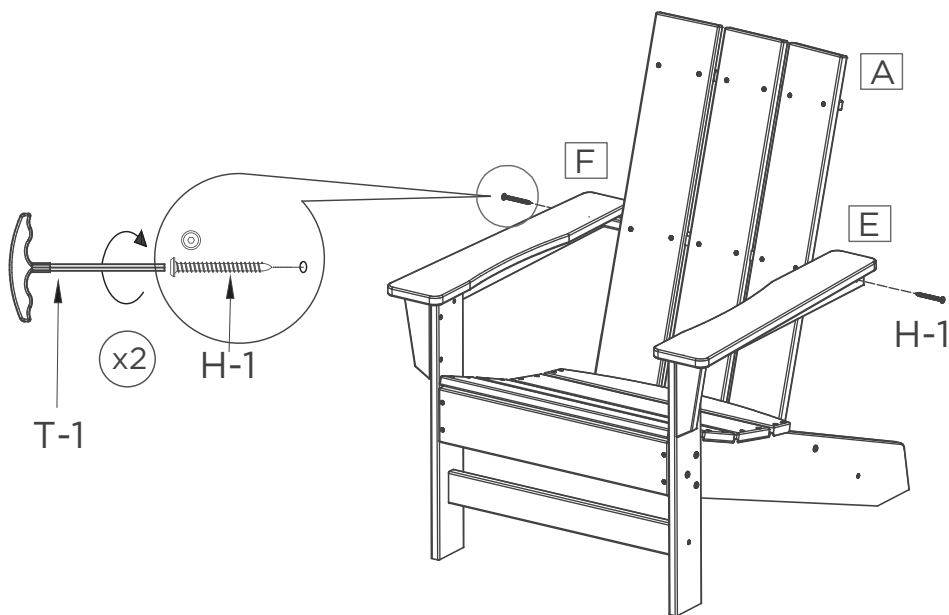
Step 6 Installing the Arms



(H-1) Lag Screw x 2



(T-1) T-Handle Allen Wrench



Fasten the Left Arm (E) and the Right Arm (F) to the Back Brace (A) using a Lag Screw (H-1) on either side with the T-Handle Allen Wrench (T-1). Fully tighten all hardware from this step and all previous steps. **DO NOT OVER-TIGHTEN.**

Step 7 Completed

TANGENTWOOD



Assembly is now complete and the product is ready for use.

NOTE: Hardware may loosen over time. Periodically check that all connections remain tight and adjust as needed.