



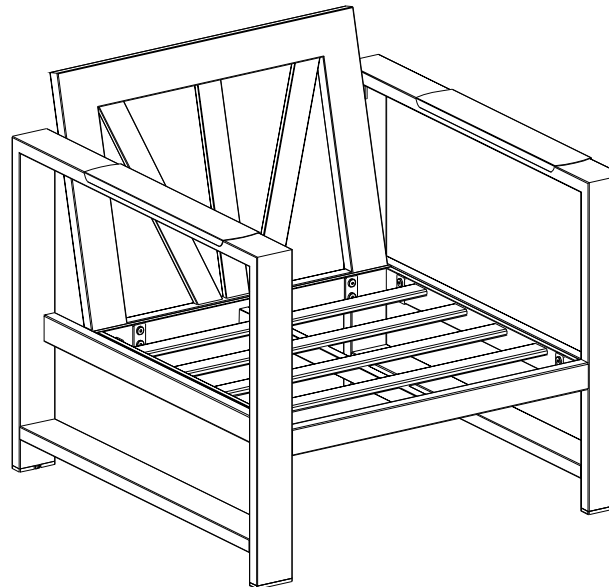


PARTS LIST

A		Back Frame x 1 piece
B		Leg Right x 1 piece
C		Leg Left x 1 piece
D		Seat Frame x 1 piece

IMPORTANT NOTE:

- Each armrest + leg unit requires assembly for the purpose of shipping ease and to prevent damage. Each armrest + leg unit is identified under the seat frame prior to assembly. With A, B, C... match leg or arm to chair or sofa for easy assembly.



STOP! PLEASE READ FIRST





Thank you for purchasing this item from Outdoor Interiors. Please verify all the hardware and components are included as you unpack the carton. Place the items in a safe area to avoid loss and damaging contents. Use a soft area or use the empty box to assemble the set.

ASSEMBLY TIPS: Assemble upside down with the sofa facing down. Never over-tighten bolts. Please visit our website if you have any questions visit

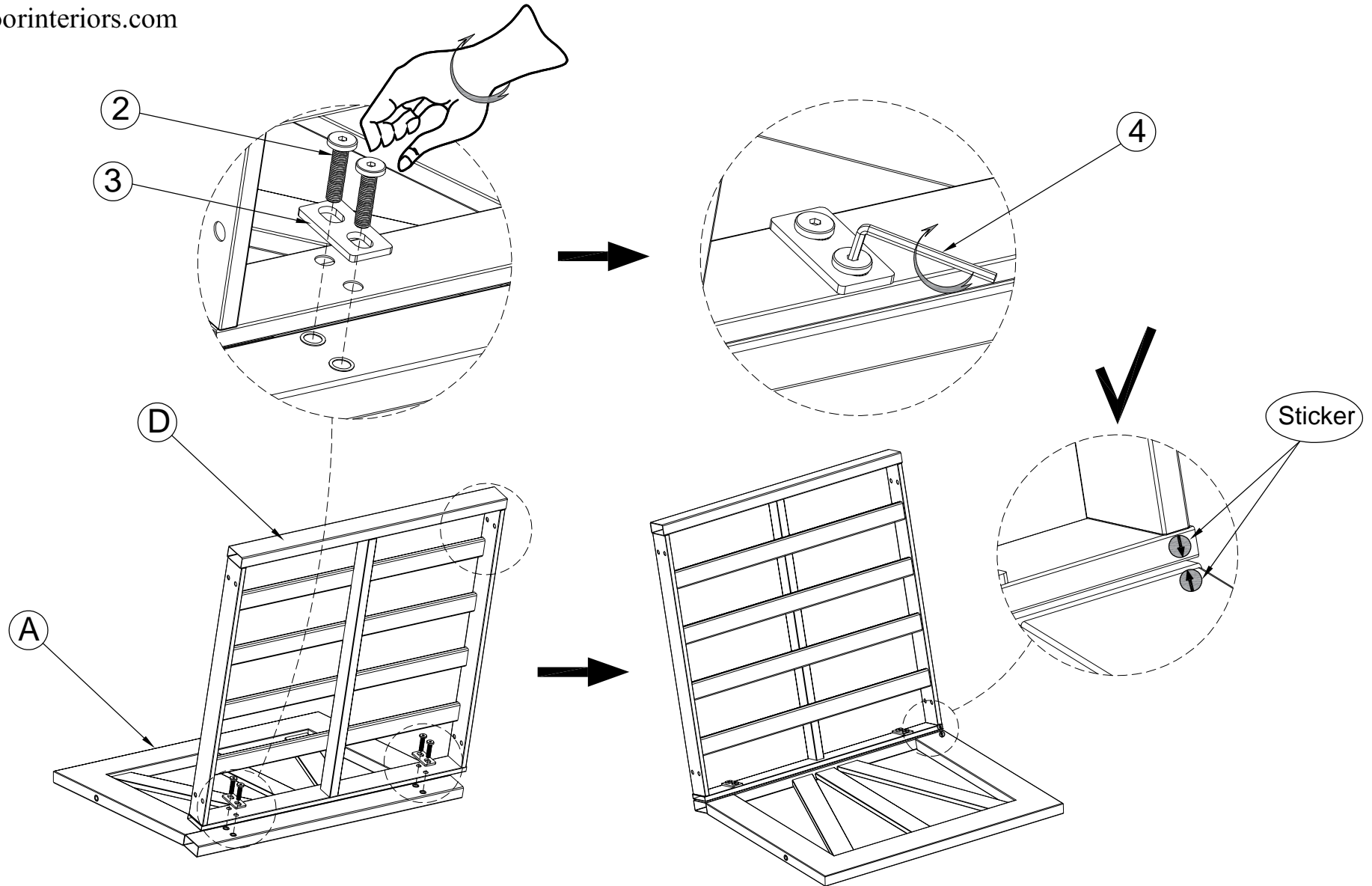
www.outdoorinteriors.com

Please review the care card for how to care & maintain your new furniture.

HARDWARE LIST

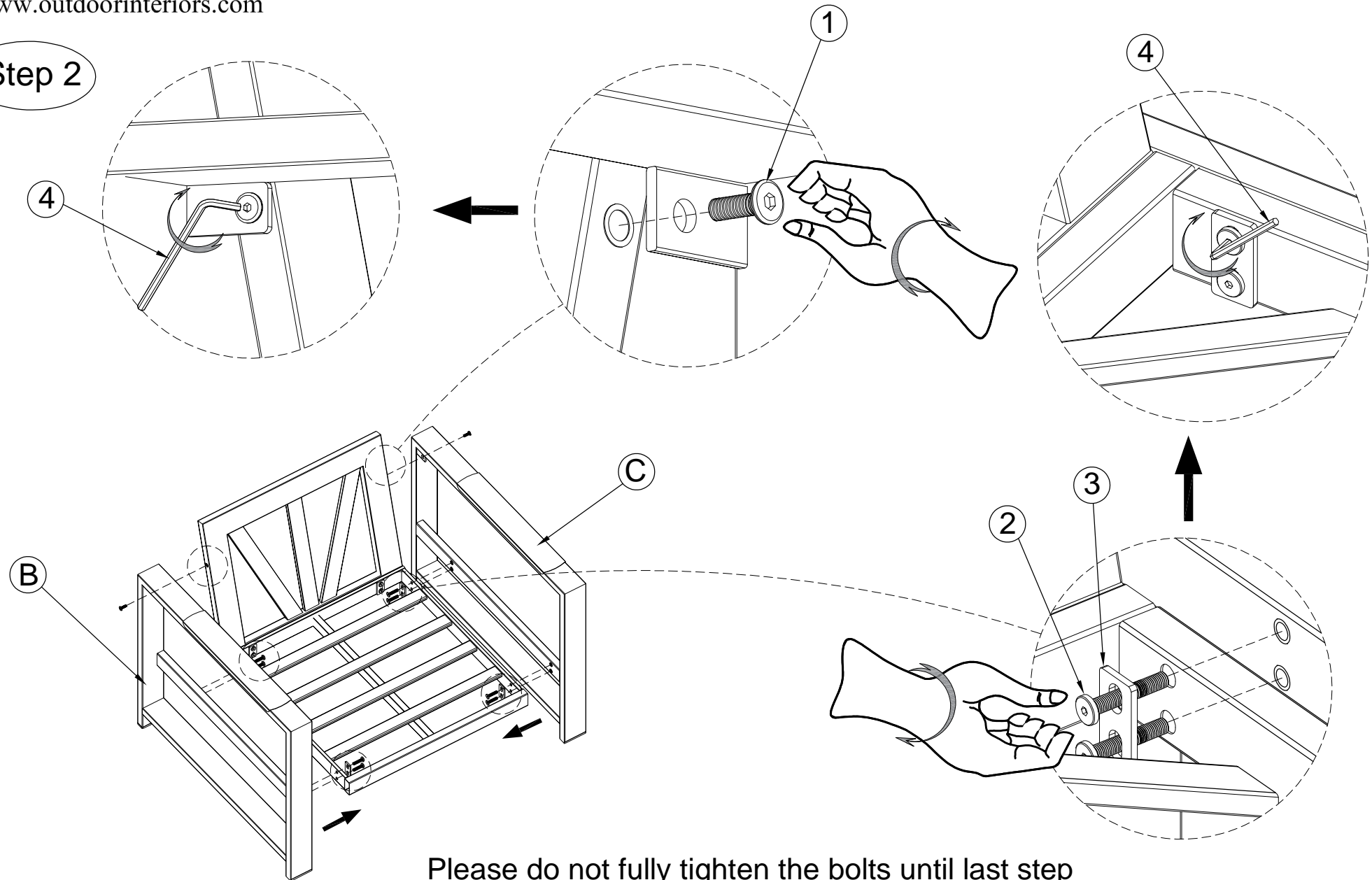
1		F-Bolt 8.00x20.00 mm	02 pieces
2		F-Bolt 8.00x30.00 mm	12 pieces
3		Pat I 50x25x3 mm	06 pieces
4		Allen key 4.00x98.00 mm	1 piece

Step 1



Please do not fully tighten the bolts until last step

Step 2



Please do not fully tighten the bolts until last step