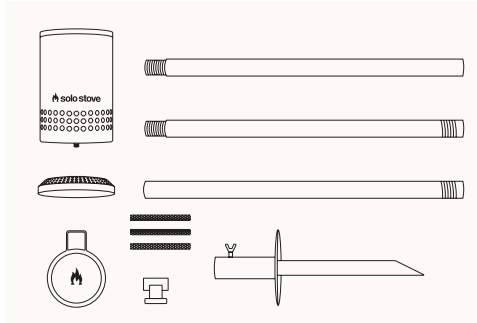
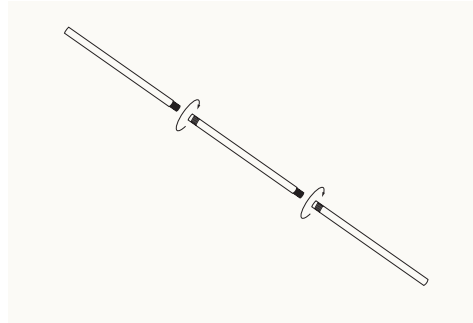


Torch

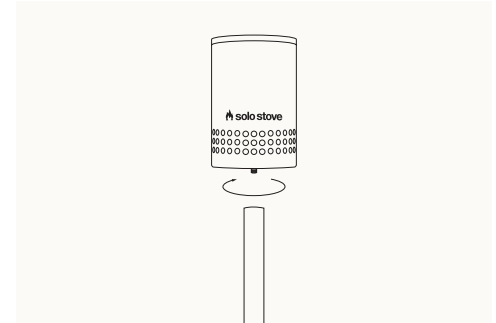
ASSEMBLY



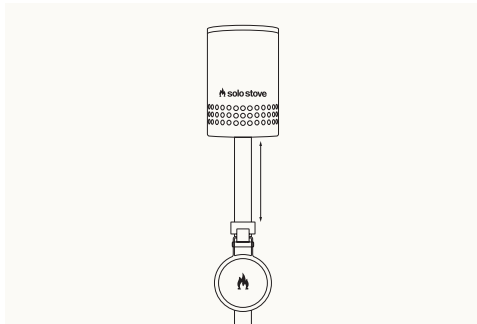
Remove all of the contents from the packaging and wrapping material.



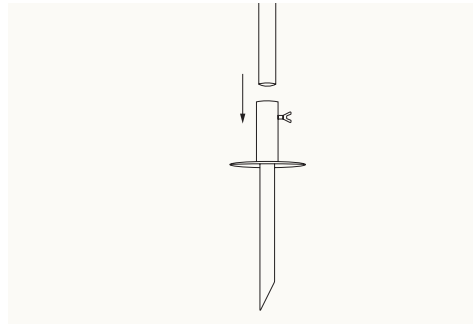
Twist the pole sections together, using the piece with threads on both ends as the middle section.



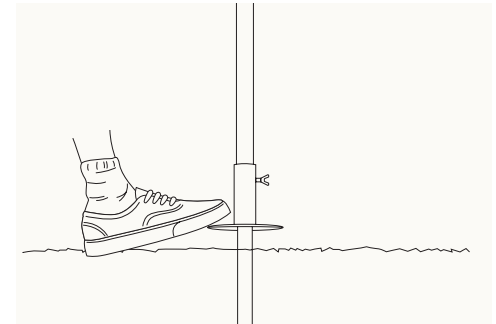
Add the fuel canister assembly to the top of the assembled pole.



Clip the snuffer cap and snuffer holder onto the top section of the pole and position it about six to nine (6-9) inches below the fuel canister assembly.



Attach the ground stake to the bottom portion of the pole, positioning the tension screw towards the rear. Tighten the tension screw so that it is firmly connected to the pole.



Position the torch in the desired location, and use your foot to help drive the stake into the ground. Make sure that the stake is firmly planted into the ground.

LIGHTING

Remove the stainless steel bezel, fuel canister lid, and wick.

Fill the canister with your choice of torch fuel, being careful not to overfill or allow any contaminants to enter the canister.

Replace the canister lid, wick, and stainless bezel and adjust the wick to approximately 1/2" above the top of the lid.

Wipe away any spilled fuel.

Allow the torch fuel to soak into the wick for a few minutes.

Use an extended lighter to light the wick.

The flame will become larger after about 15 minutes of burning.

WARNINGS

READ AND UNDERSTAND THESE INSTRUCTIONS BEFORE USE.

⚠ Failure to follow warnings and instructions may result in serious injury or property damage.

- Do not use gasoline or other flammable fuel in torch. Use only with recommended fuel.
- Torch fuel is harmful and potentially fatal if swallowed.
- Read warnings on torch fuel bottle carefully.
- For outdoor use only and will be hot while in use.
- Do not leave a burning torch unattended.
- Do not operate or light the torch in windy conditions.
- Keep clothing, hair, and face away from flame.

EXTINGUISHING

Remove the snuffer cap from the clip and place it on top of the wick to extinguish.

Allow the fuel canister and snuffer to cool completely before handling.

Keep the snuffer in place when not in use to prevent moisture from entering the fuel canister.

Store the torch in a dry location.

Ensure that the fuel canister cap is tightened before storage.

To remove the torch from the ground stake, loosen the tension screw on the stake, and lift the torch out of the stake housing. The ground stake can be left in place to ensure that the torch placement is consistent and secure for each use.

- Use only in well-ventilated area. Do not place torch under covered shelter, umbrella, trees,
- Or near combustible material.
- Keep out of reach of children and pets.
- Do not place near foot traffic area.
- Pole should be placed firmly into the ground until secure.
- Do not move the torch while it is burning.
- Do not tip torch, as fuel can spill and cause fire or serious injury.
- Do not attempt to refill a burning torch. Snuff the flame and wait for the torch to cool.
- Do not blow out the flame.
- Do not use while under the influence of drugs or alcohol.