

Item# 46648 Rd Ivory Composite & Eucalyptus Wash Table w Umbrella Hole








bringing style and solutions to your patio & garden

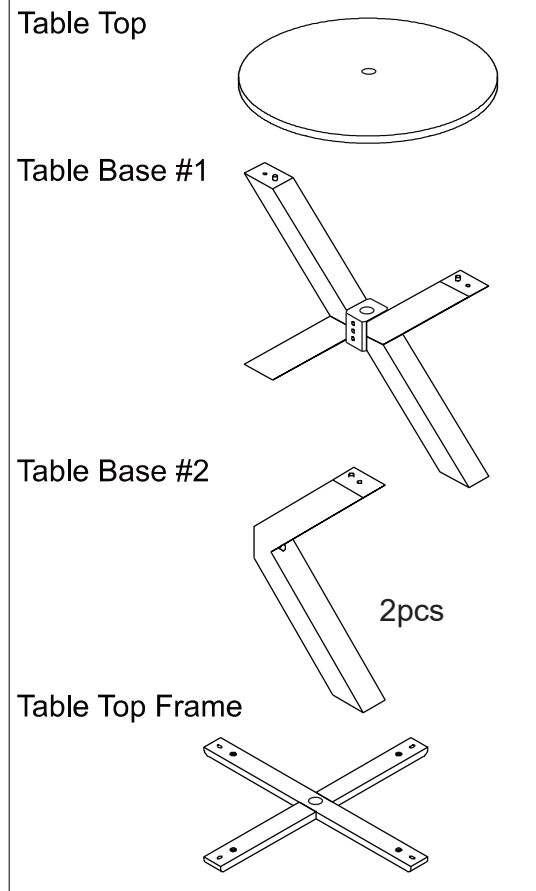
TABLE ASSEMBLY INSTRUCTIONS

Assembly Instruction & Care:

Please assemble on soft surface after removing contents as not to scratch or damage stone surface.

Enjoy!

Item	Description	Q'ty
A	 Bolt 8x80	02
B	 Bolt 8x50	08
C	 Washer 8x19x2	06
D	 Allen Key	02
E	 Umbrella Plug	01



STEP 1

- Assemble two base #2 with base #1
- Attach (2) "A" Bolt and (2) "C" Washer

STEP 2

- Assemble two table base leg with crossbar.
- Attach (4) "B" Bolt.

STEP 3

- Place table top on a soft surface as shown.
- Fasten (4) "A" Bolts and (4) "B" washers to table top underside and frame.

STEP 4

- With 2 people carefully stand table upright.