



Item # 46611 Rope & Antique Wash Eucalyptus Arm Chair 2pk.

Assembly Instructions & Care:

Please assemble on soft surface after removing contents as not to scratch or damage parts.
Enjoy!

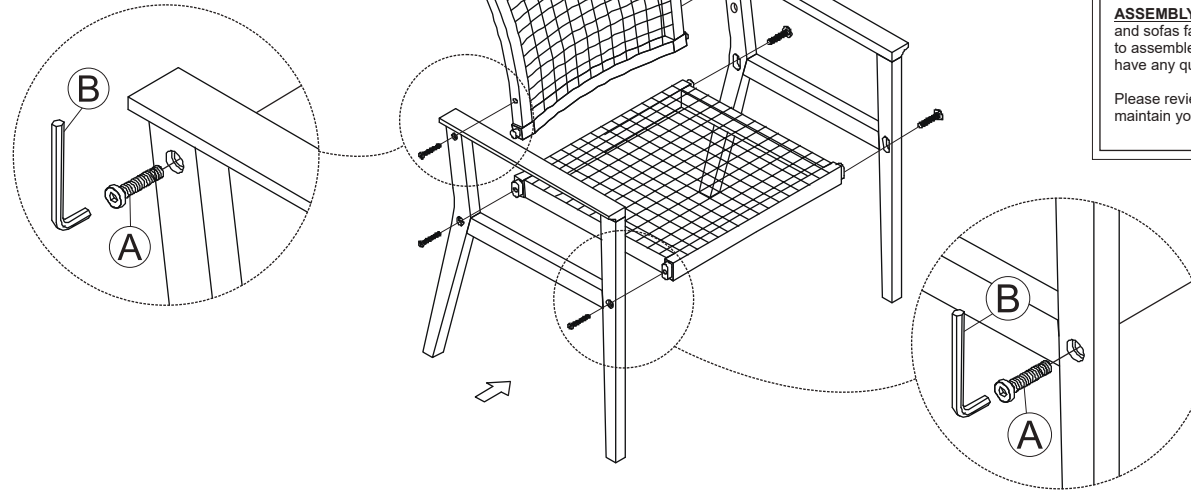


CHAIR ASSEMBLY INSTRUCTIONS
www.outdoorinteriors.com

Item	Description	Q'ty
A	 Bolt 6x50	06
B	 Allen Key	01
C	Portable Drill Bit	01

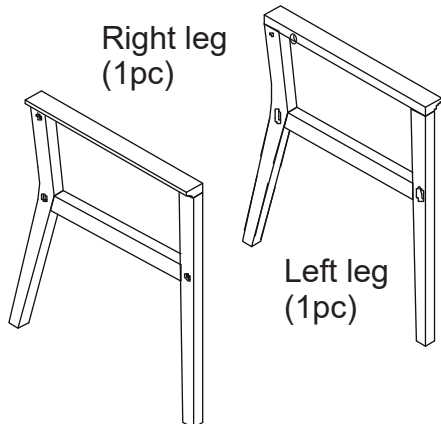
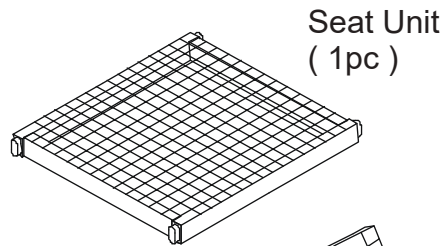
STEP 1

- Put the right leg into the given holes and fasten the bolts half way.
- Repeat on the left side.
- Tighten bolts.

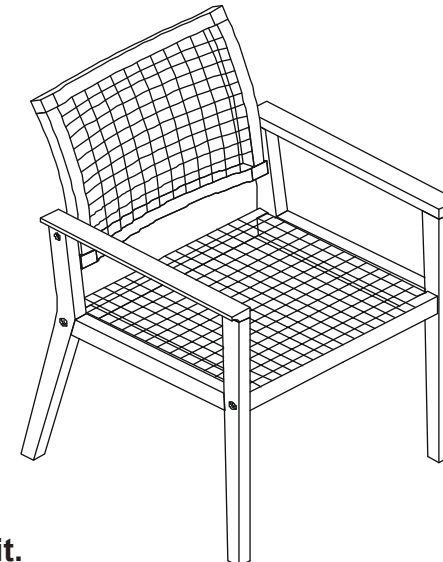


STOP! PLEASE READ FIRST:

Thank you for purchasing this item from Outdoor Interiors.
Please verify all the hardware and components are included as you unpack the carton. Place the items in a safe area to avoid loss and damaging contents. Use a soft area or use the empty box to assemble the set.
ASSEMBLY TIPS: Assemble upside down with the table top and sofas facing down. Never over-tighten bolts. It's best to assemble with 2 people. Please visit our website if you have any questions www.outdoorinteriors.com
Please review the "PLEASE OIL ME" card for how to care & maintain your new furniture.



STEP 2 •Enjoy!



Assembly Tip: Best to assemble on its side or upside down and do not overtighten bolts until the end after getting various parts assembled and fit.