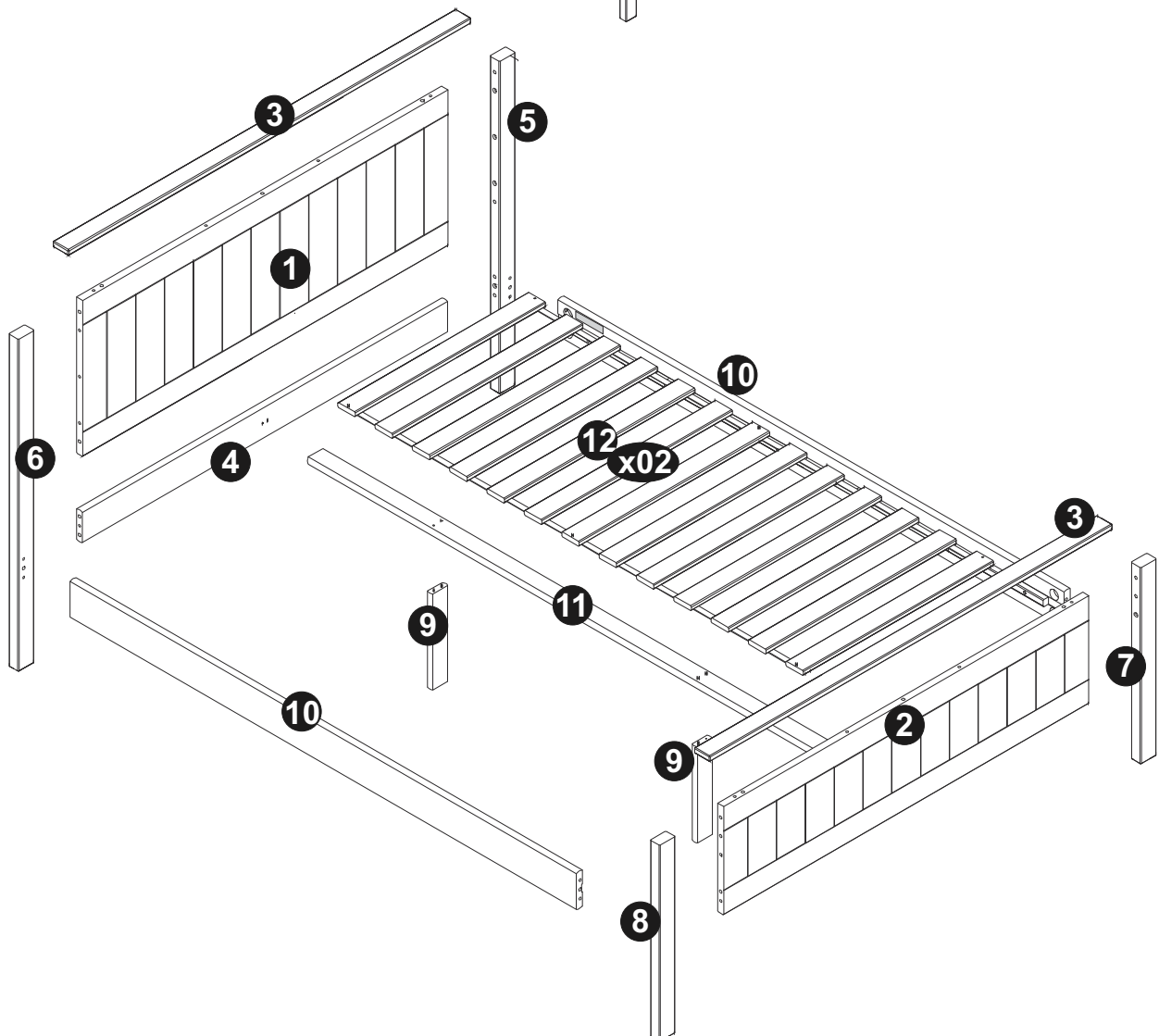
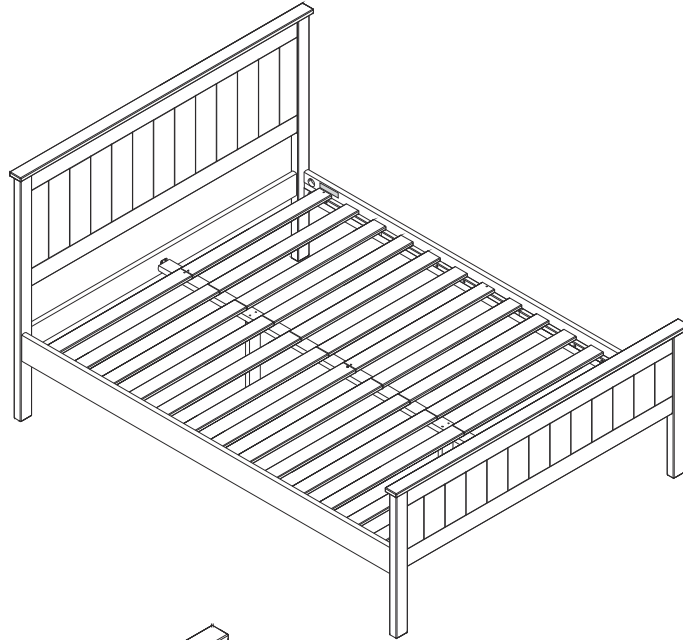
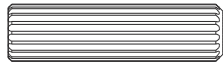
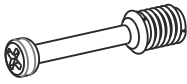
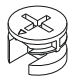
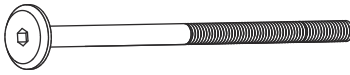

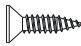
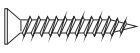
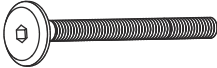

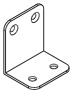
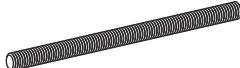



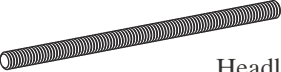


L.L.Bean

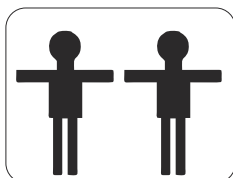
ASSEMBLY INSTRUCTIONS WOODEN COTTAGE BED



A	 Ø10x40mm	22
B		08
C		08
D	 1/4 x 80mm	04
E	 Half moon nut 1/4 x 4	04
F	 Ø3.5x16mm	08
G	 Ø4.0x35mm	12
H	 Ø7.0x60mm	04
I		01
J		02
K	 Headless bolt 1/4 x 70mm	04
L	 Small washer	16
M	 Nut 1/4	16
N	 Spanner	01
O	 Headless bolt 1/4 x 80mm	12

REPLACEMENT PARTS

Order replacement parts and hardware at "www.llbean.com".



+



60 minutes

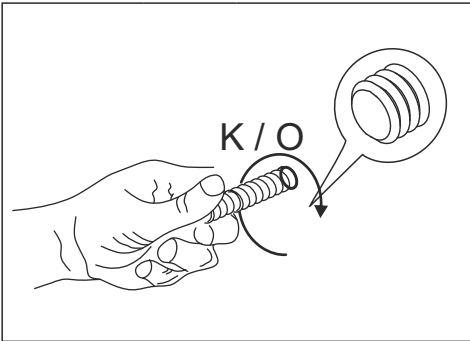
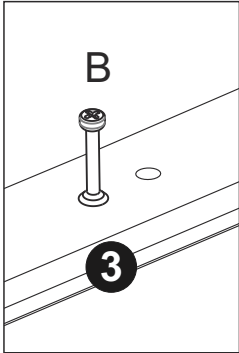
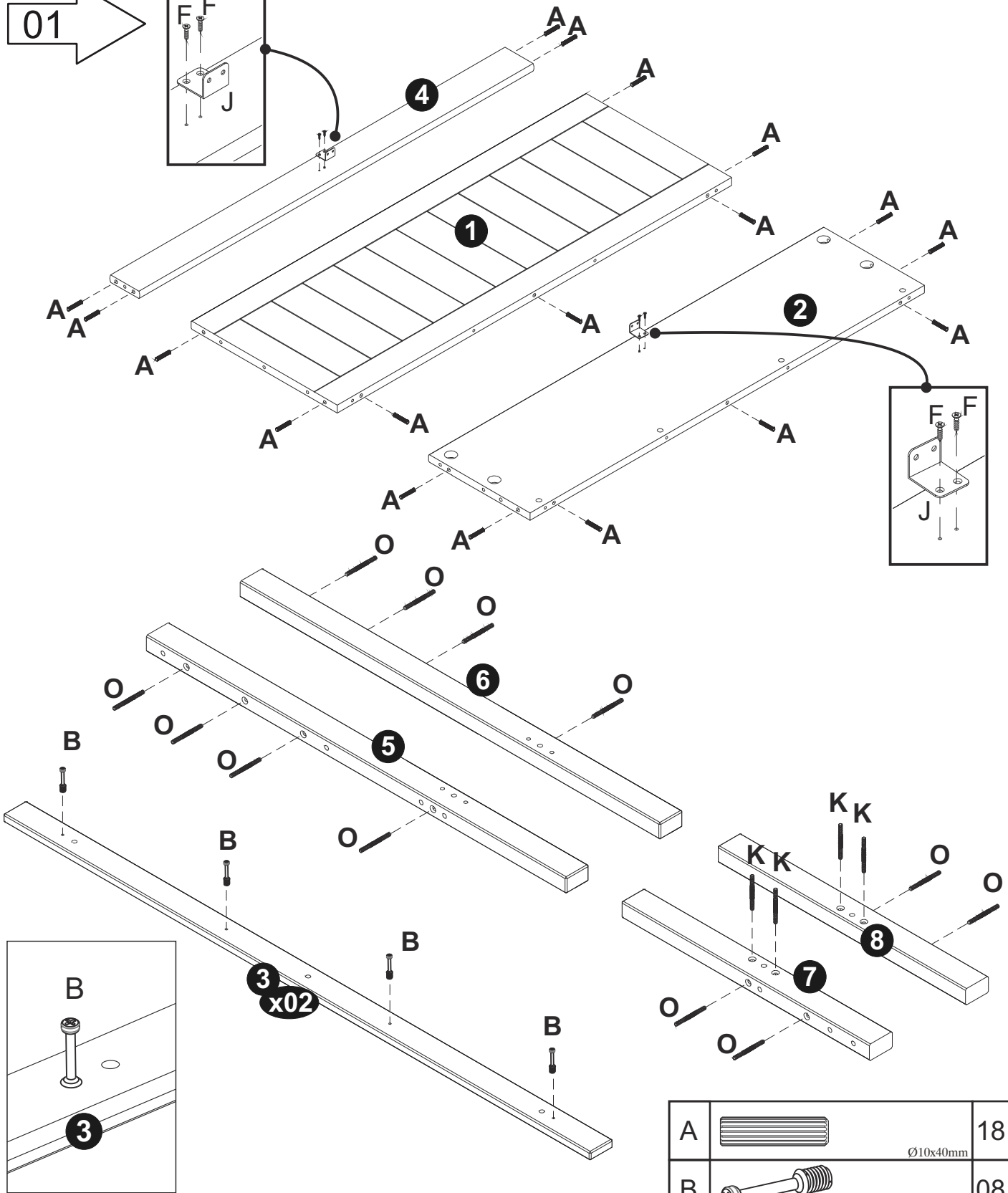
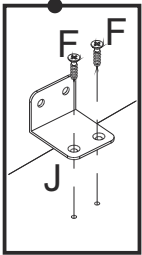
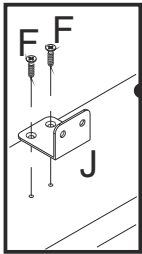
Tools Required


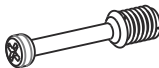
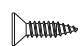



Phillips Tool



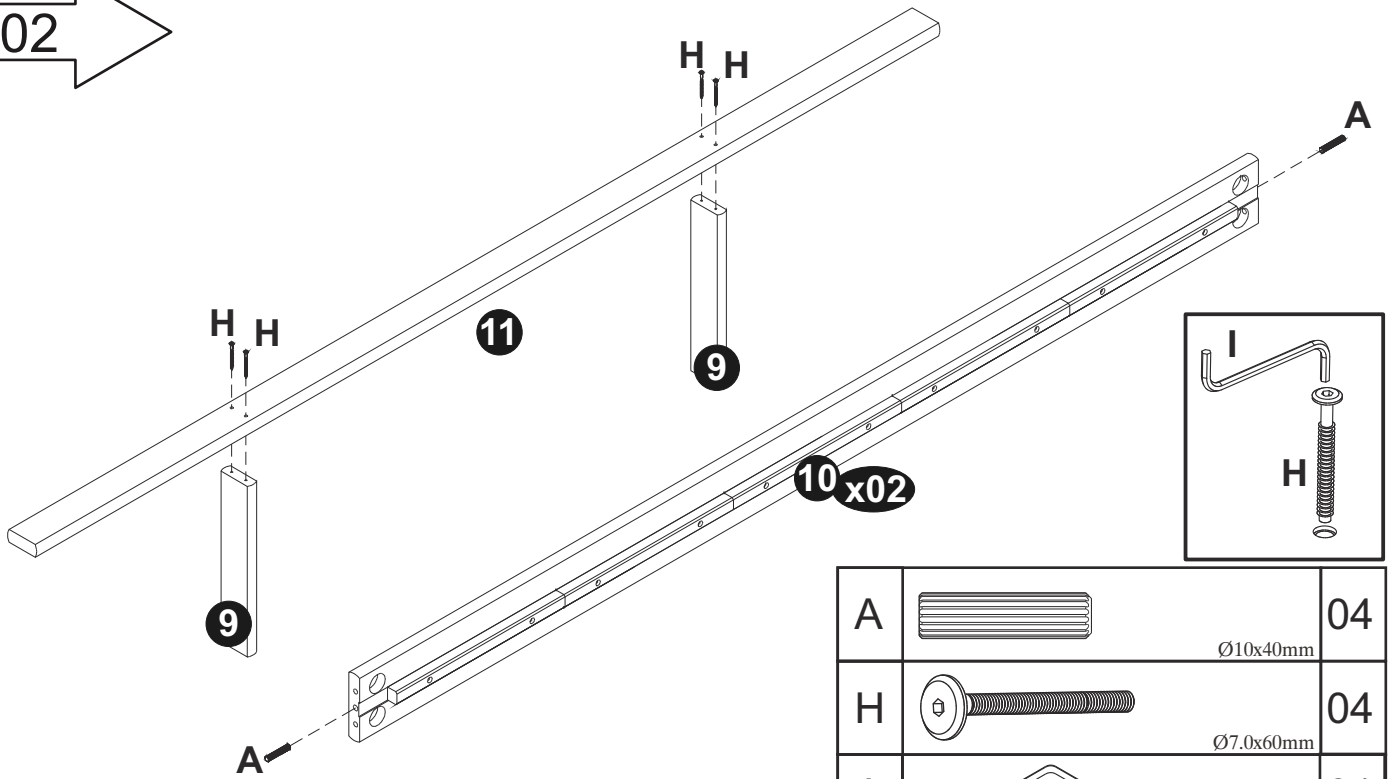
Hammer
* These tools are not supplied by the manufacturer




01



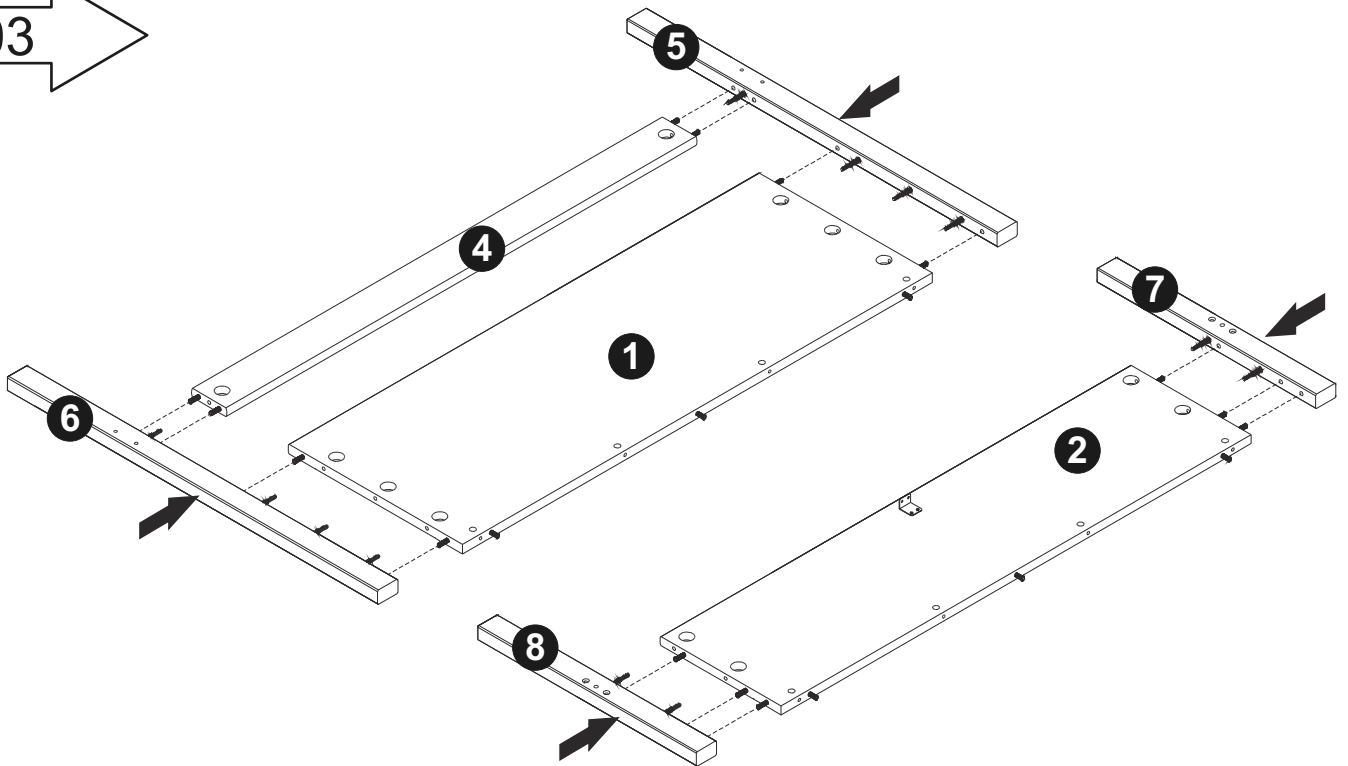
A		Ø10x40mm	18
B			08
F		Ø3.5x16mm	04
J			02
K		Headless bolt 1/4 x 70mm	04
O		Headless bolt 1/4 x 80mm	12

02

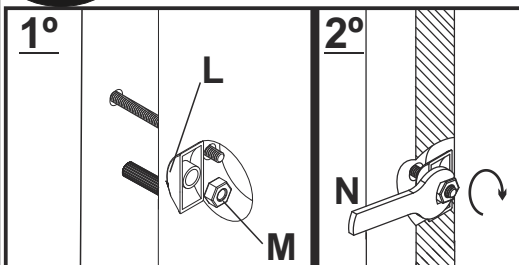





A		Ø10x40mm	04
H		Ø7.0x60mm	04
I			01

03

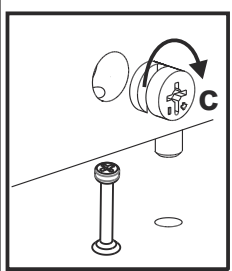
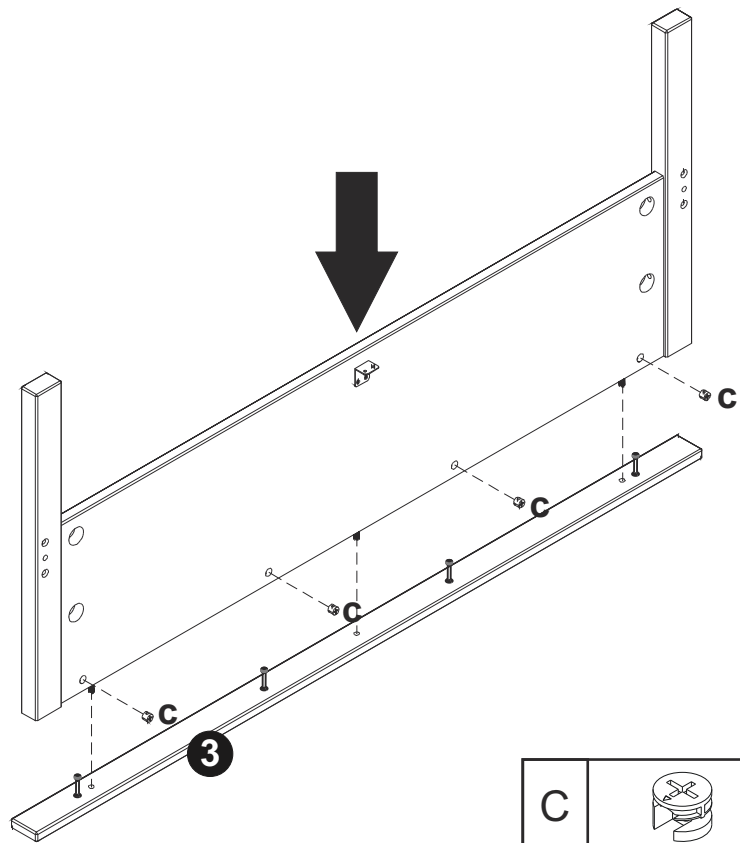


x16



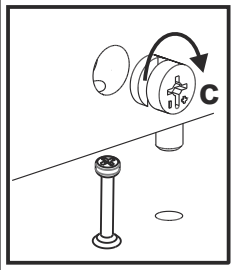
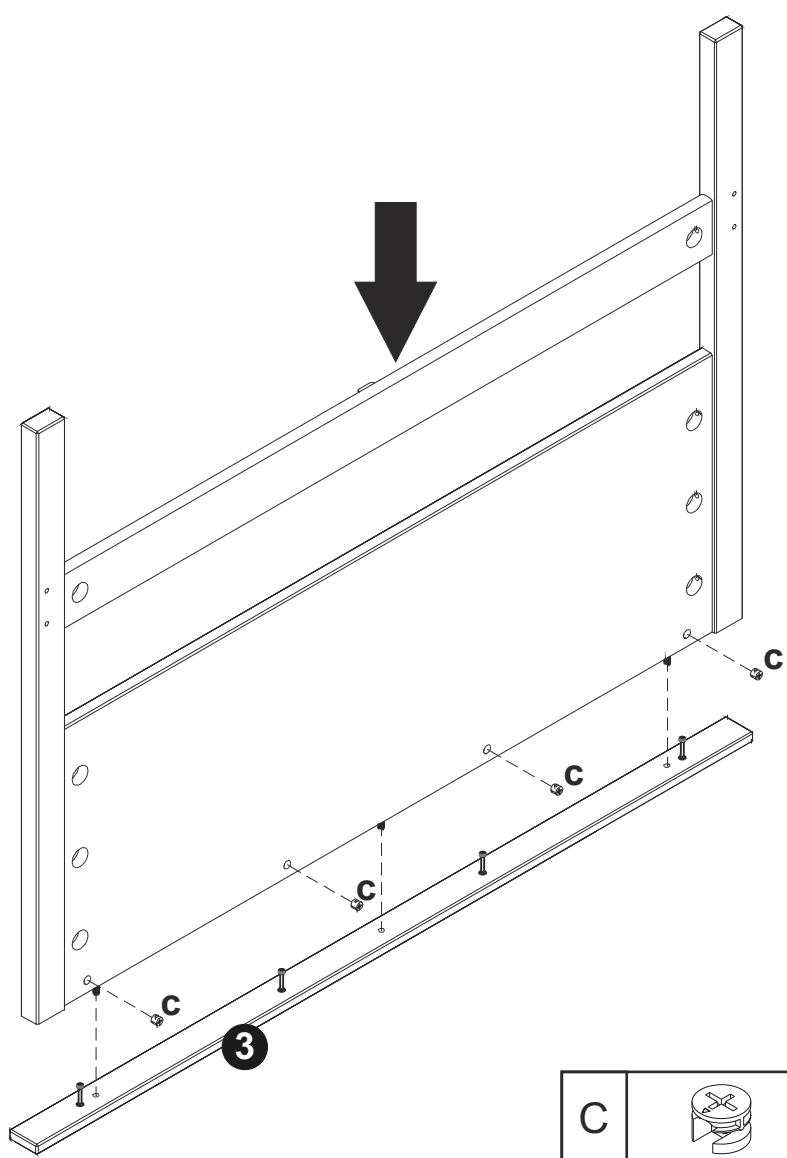
L		Small Washer	12
M		Nut 1/4	12
N		Spanner	01

04



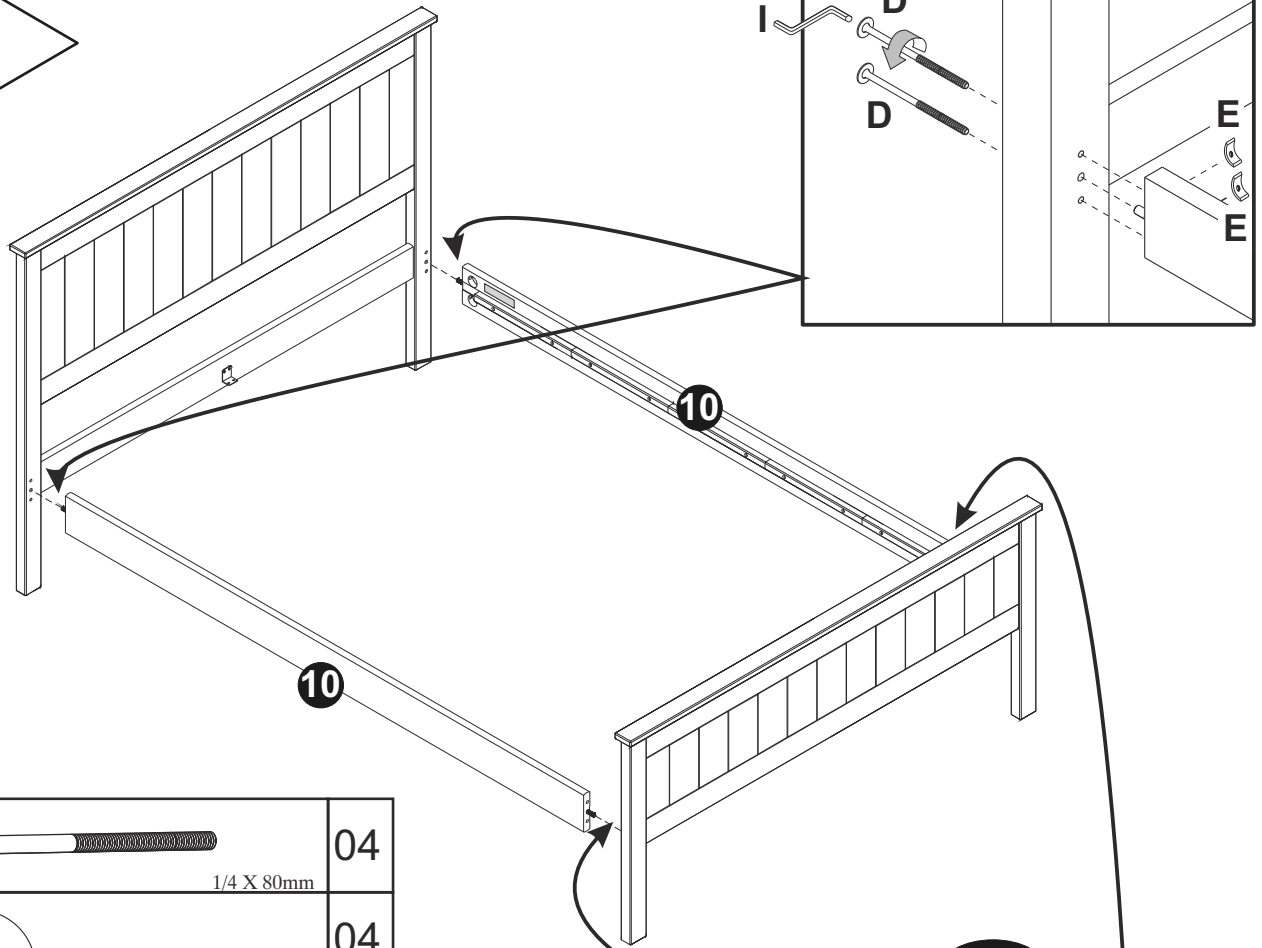
C		04
---	---	----

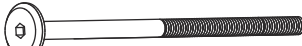





05

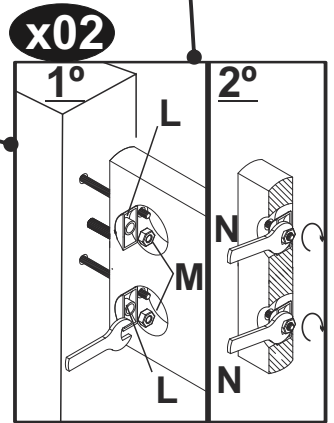


C		04
---	---	----

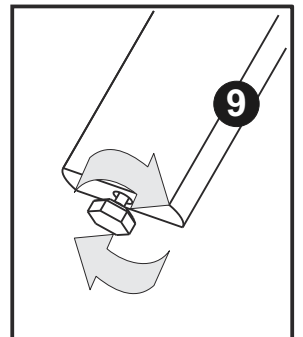
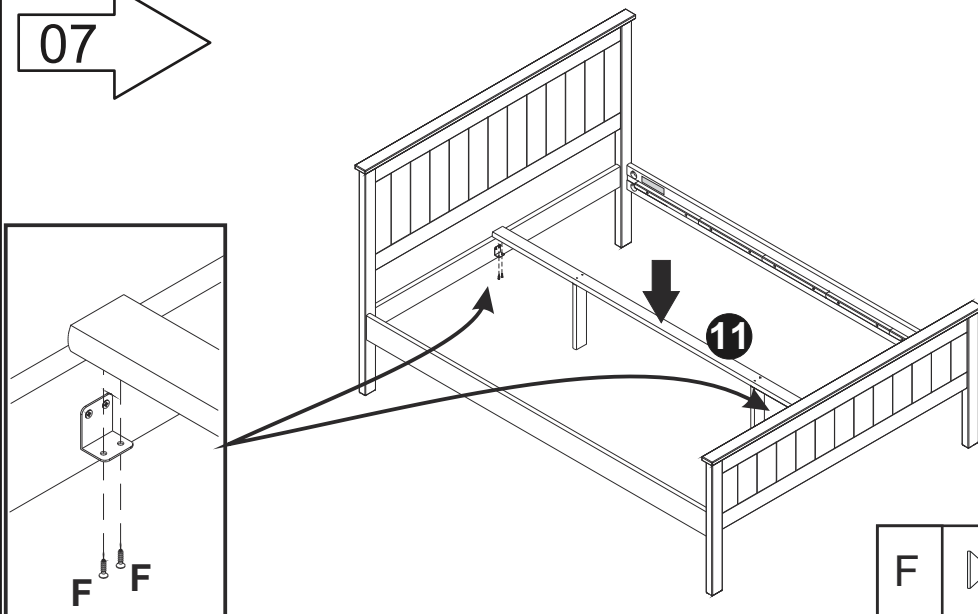
06



D		04
	1/4 X 80mm	
E		04
	Half moon nut 1/4	
I		01
L		04
	Small washer	
M		04
	Nut 1/4	
N		01
	Spanner	

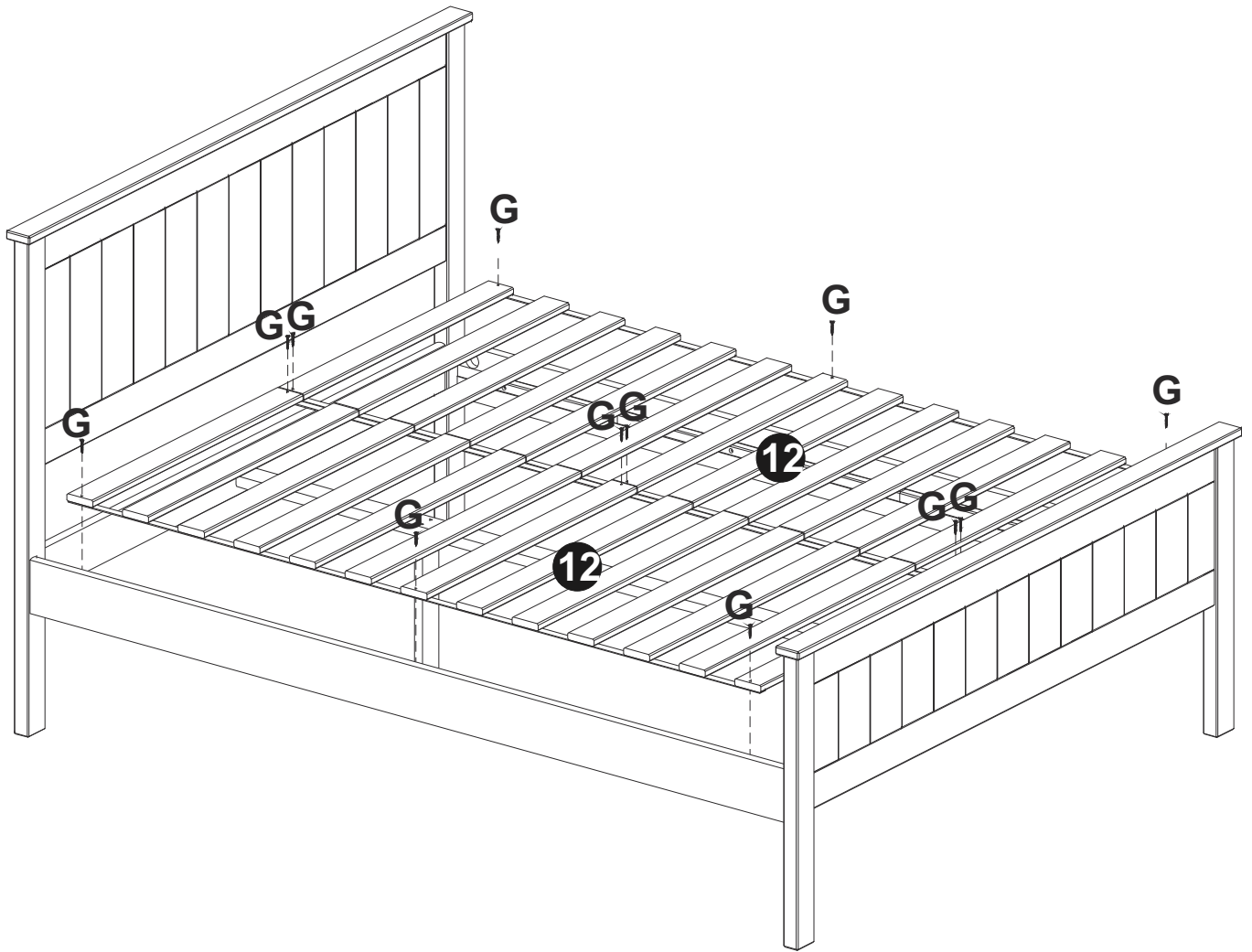


07



F		04
	Ø3.5x16mm	

08



G		12
Ø4.0x35mm		