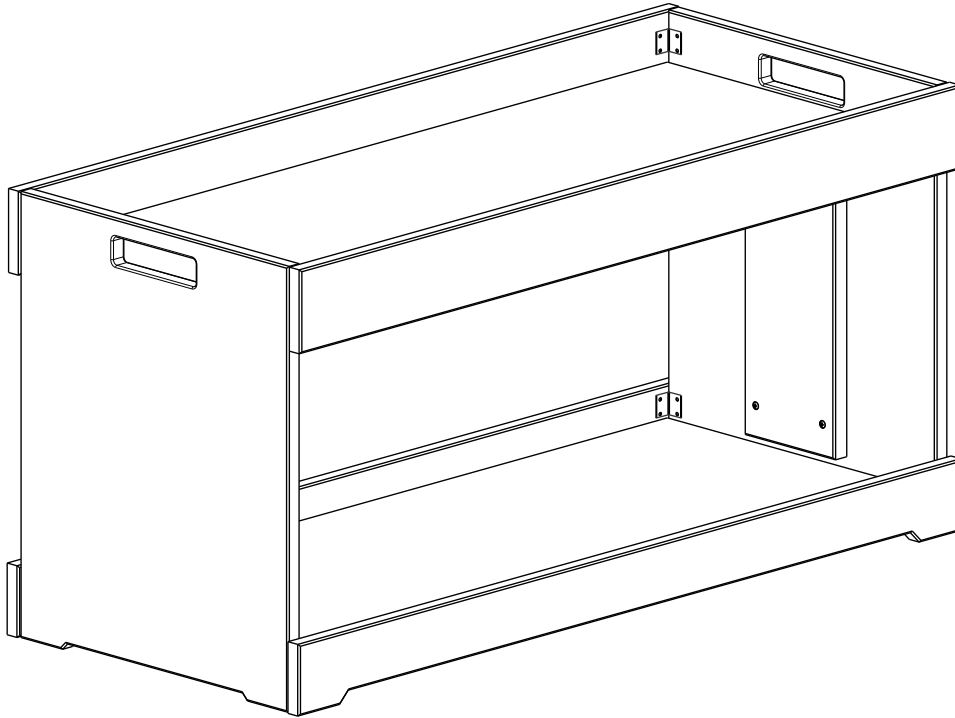


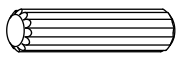
L.L.Bean

ASSEMBLY INSTRUCTIONS

Rustic Wooden Two Tier Boot Tray



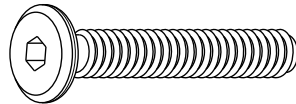
HARDWARE



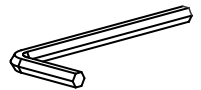
A - 8.0x30mm Wood Dowel
Qty. 12



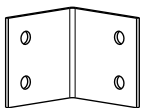
B - 3.5x16mm Screw
Qty. 32



C - 1/4"x40mm Screw
Qty. 12



D - Allen Key
Qty. 01

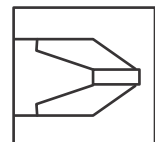


E - Angle Bracket
Qty. 08

Tools Required

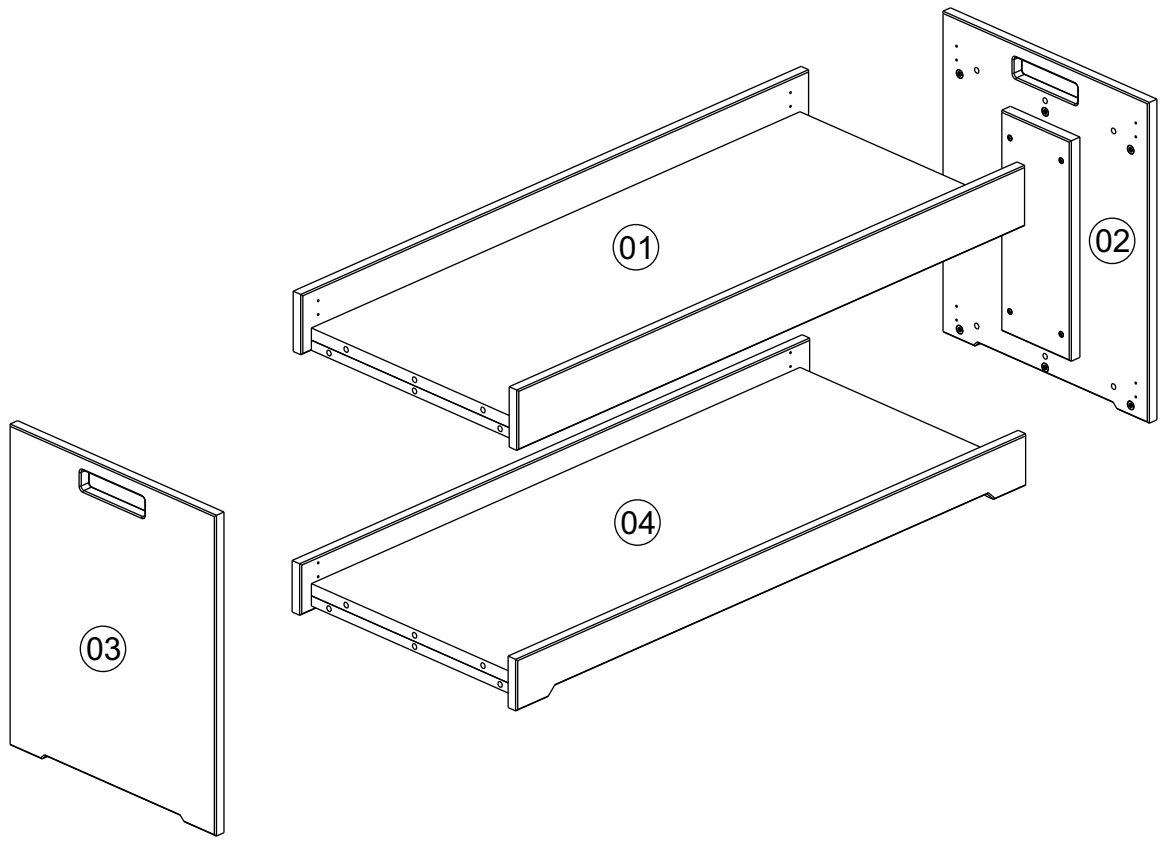


Phillips Tool

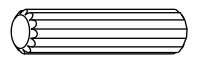
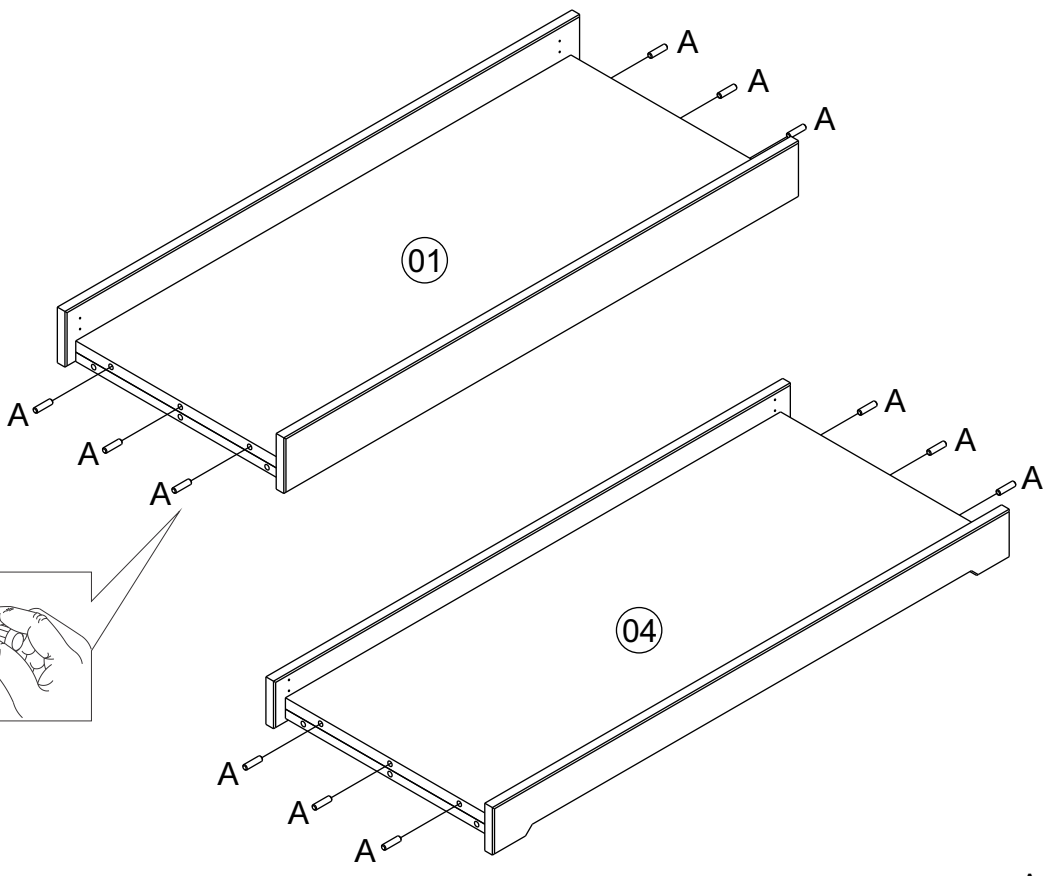


REPLACEMENT PARTS

Order replacement parts and hardware at www.llbean.com

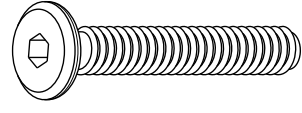
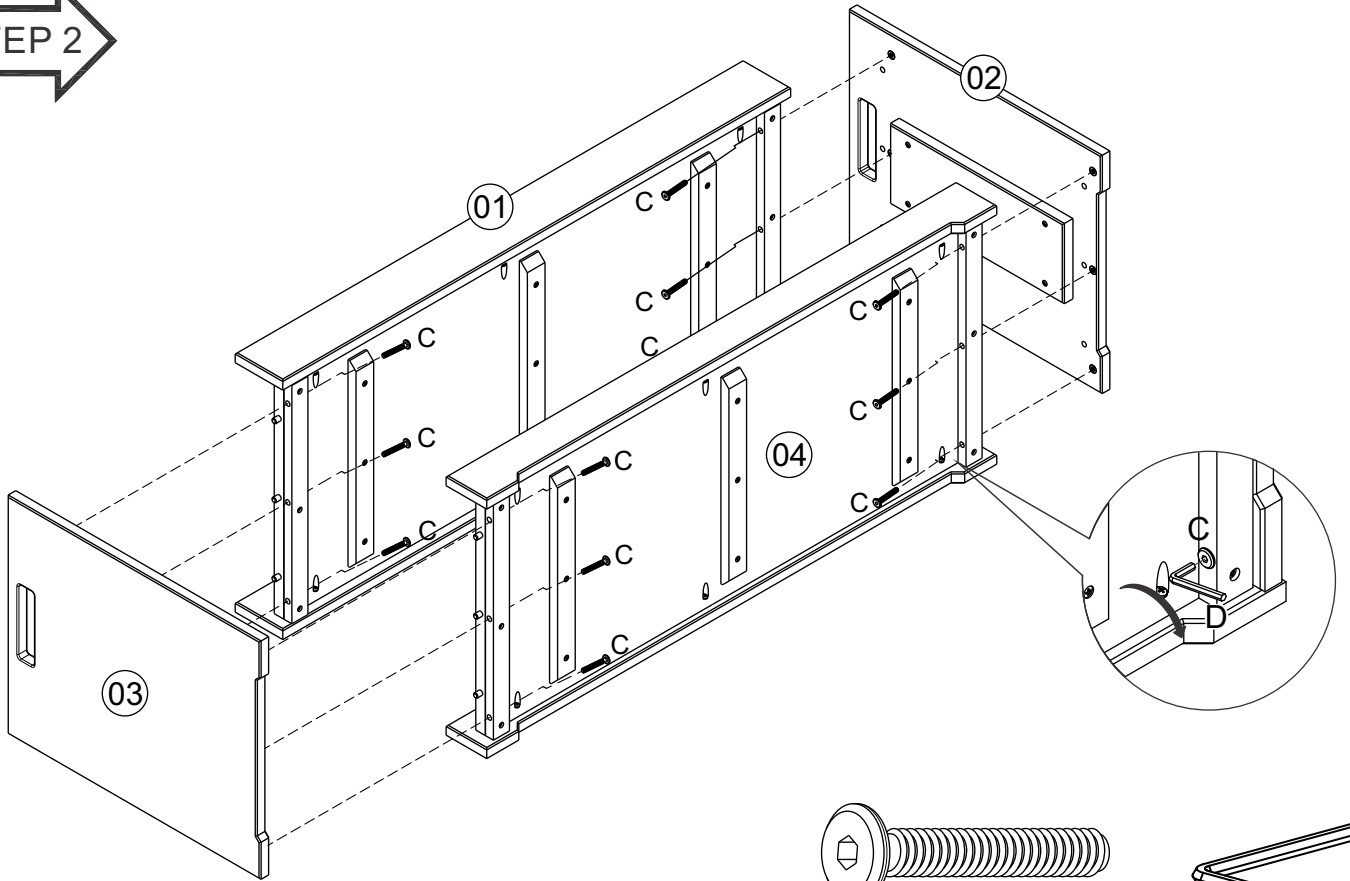


STEP 1

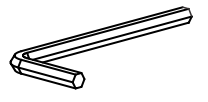


A - 8.0x30mm Wood Dowel
Qty. 12

STEP 2

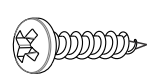
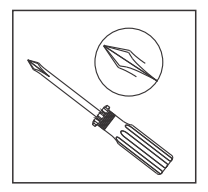
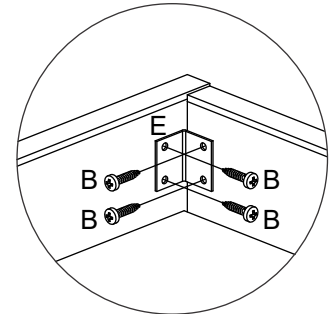
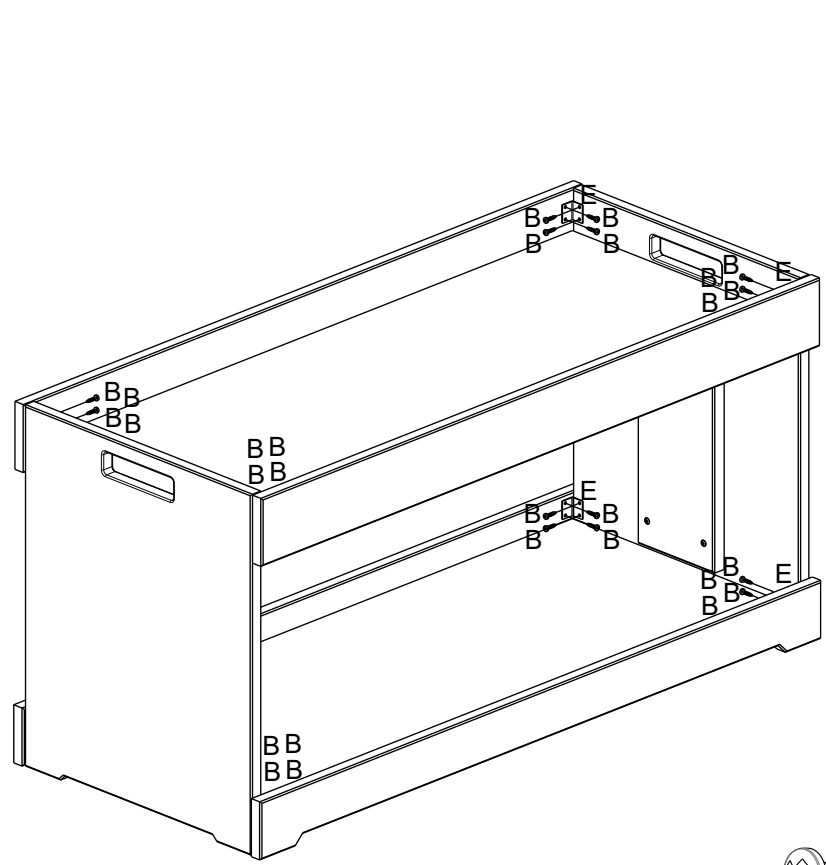


C - 1/4"x40mm Screw
Qty. 12

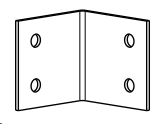


D - Allen Key
Qty. 01

STEP 3



B - 3.5x16mm Screw
Qty. 32



E - Angle Bracket
Qty. 08