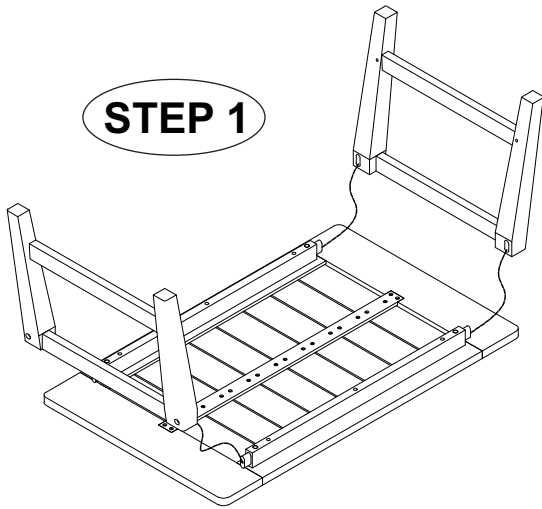
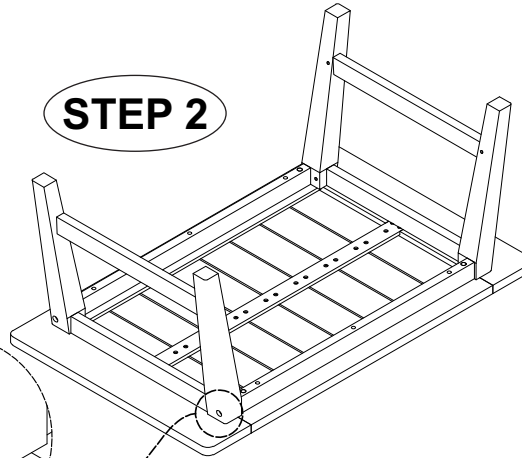


# ASSEMBLY INSTRUCTIONS

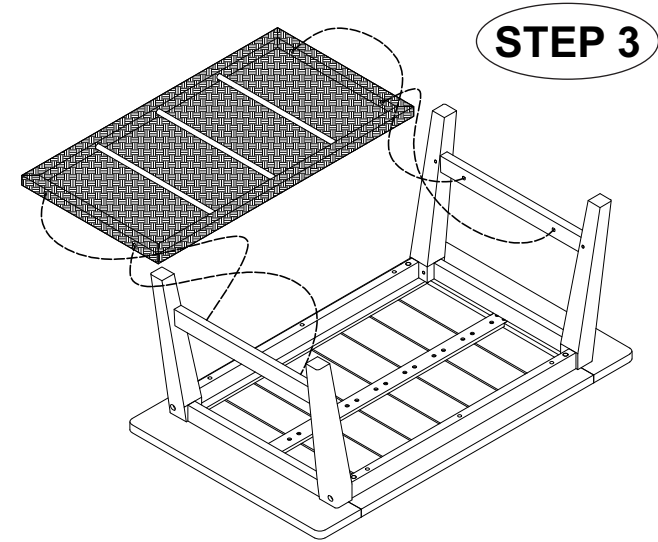
Item # TNA7900-G - Coffee Table



**STEP 1**



**STEP 2**



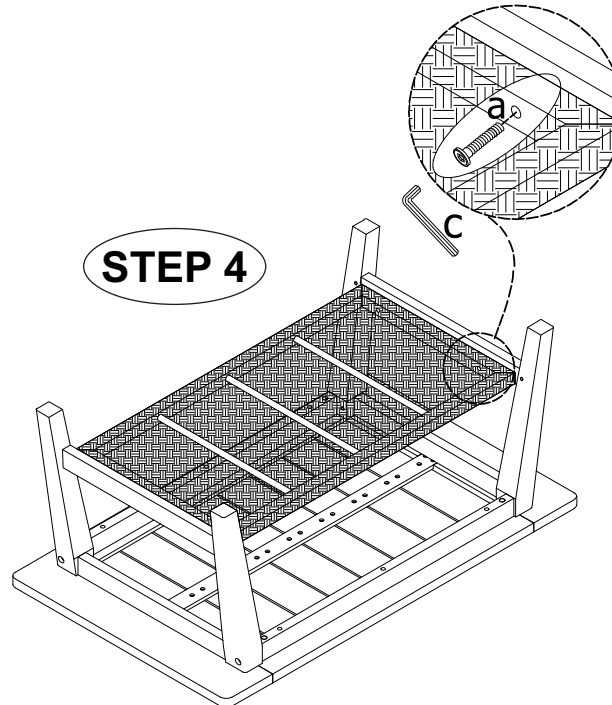
**STEP 3**

**STOP! PLEASE READ FIRST:**

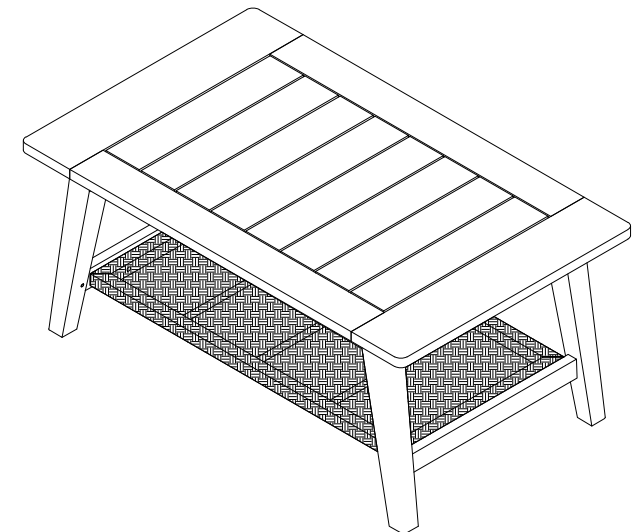
Thank you for purchasing this item from Outdoor Interiors. Please verify all the hardware and components are included as you unpack the carton. Place the items on a safe area to avoid loss and damaging contents. Use a soft area to empty box to assemble the item. Do not fully tighten hardware until all 8 screws and bolts are connected first. Then tighten.



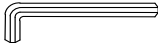
**CARE & MAINTENANCE:**

We recommend the following maintenance plan to provide long term care: Thoroughly clean 2-3 times a year with a soft rag, warm water and mild detergent and wipe dry. For tough stains, gently scrub with a soft brush or cloth only, rinsing well and drying. Avoid standing water or sprinklers from hitting your furniture regularly as this will cause staining and uneven grain and finish concerns. Always cover your furniture when not in use during extended periods.



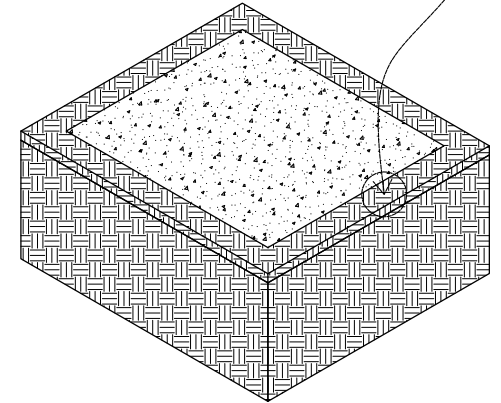
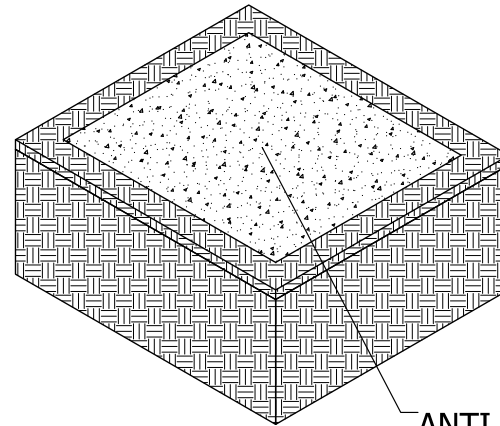
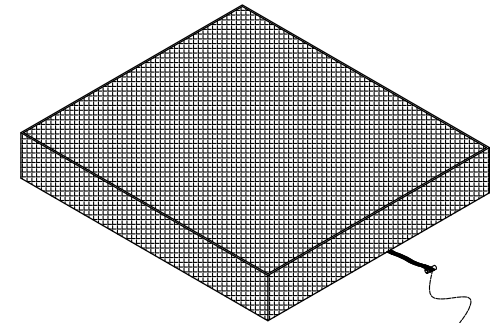
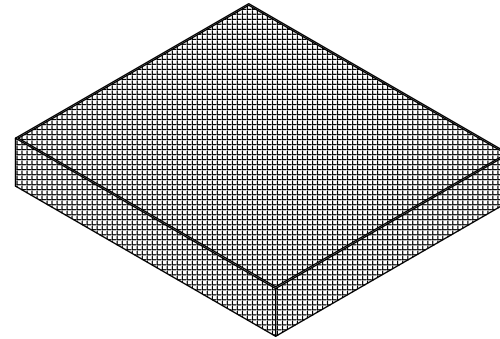
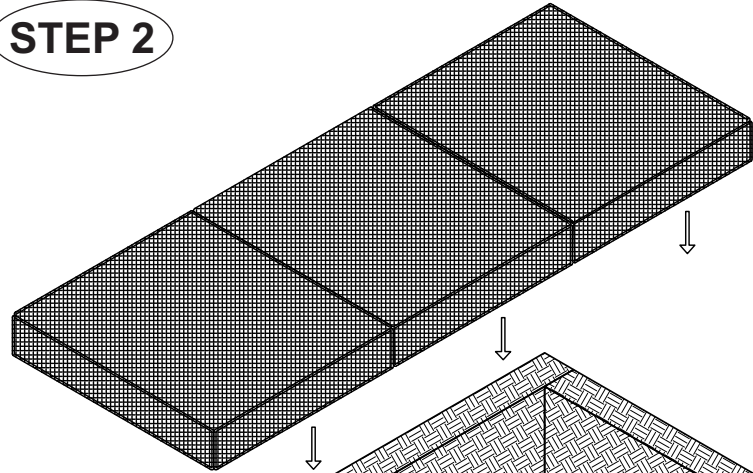
**STEP 4**



a		Bolt	6x45mm	4pcs
b		Screw	6x70mm	4pcs
c		Allen key tool	6x15mm	1pc

# ASSEMBLY INSTRUCTIONS - ANTI-SLIP PADS

**STEP 2**



**STEP 1**

ANTI SLIP PAD

**STEP 1**

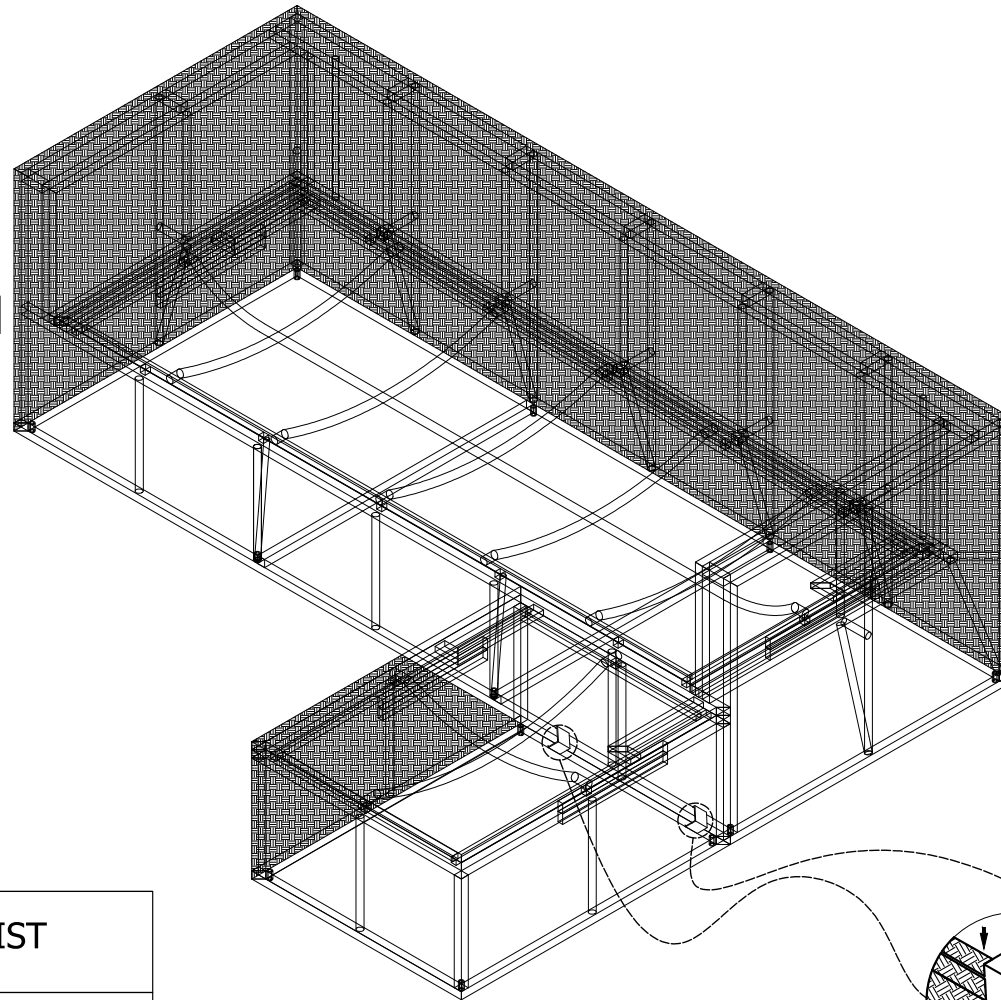
ANTI SLIP PAD

**STEP 2**

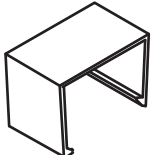
# ASSEMBLY INSTRUCTIONS

**NOTE:** Ottoman/Foot stool/ can be placed anywhere along sofa bench, but must be secured with (2) connectors included for safety.

**SOFA BENCH**

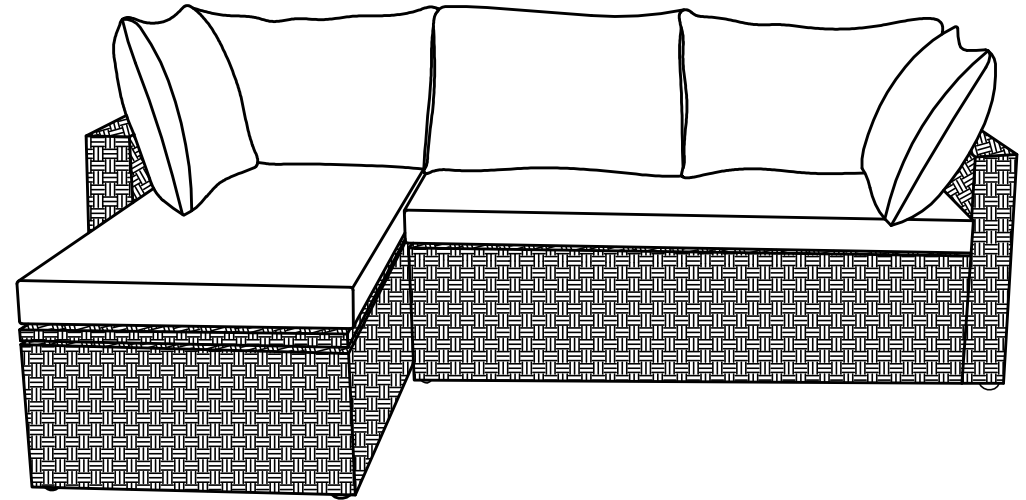
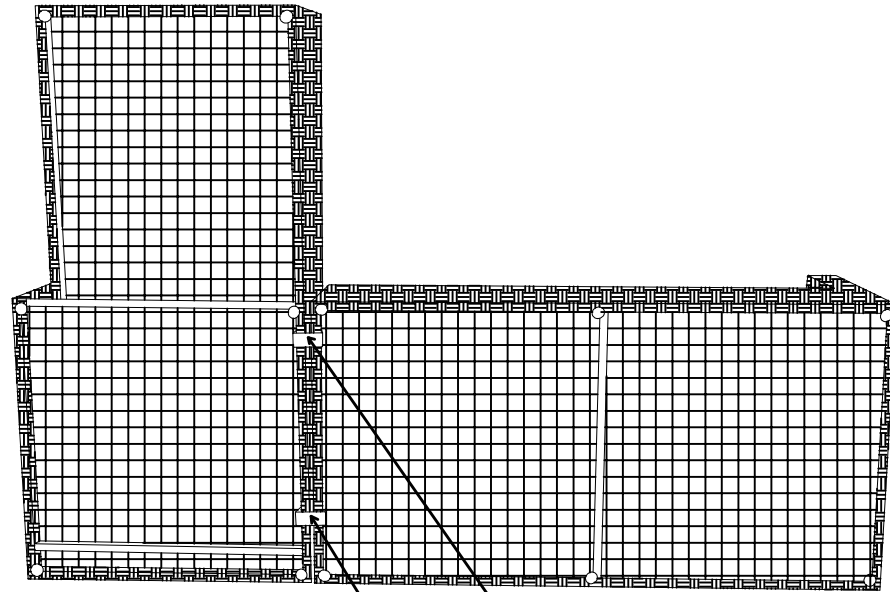


**OTTOMAN**

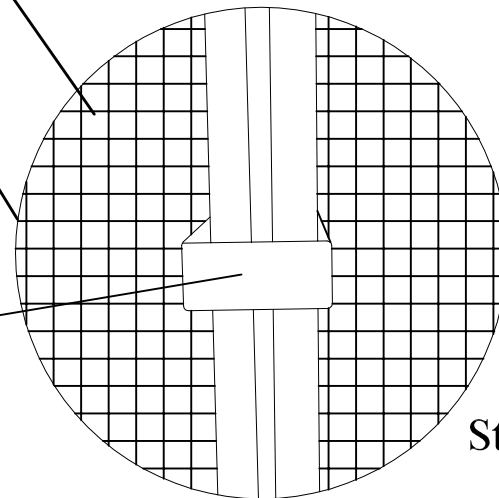
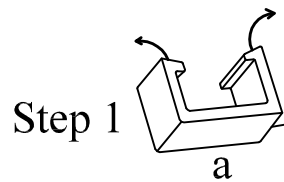
QTY	HARDWARE LIST
2	 SOFA Connector

# TNA 7900 ASSEMBLY INSTRUCTION

## (Sectional Connectors)



Spread firmly on both sides to open clamp before attaching (as show)



Step 2

Assembly note: (2 people)  
 On soft surface please lift both chaise sofa units on their backs to attach both connectors

a		2pieces
---	--	---------

For # TNA 7900

May need to gently widen woven wicker to insert clamps fully under both units.