




Item # GW44123 Rope : Grey Wash Eucalyptus Lounge Chair

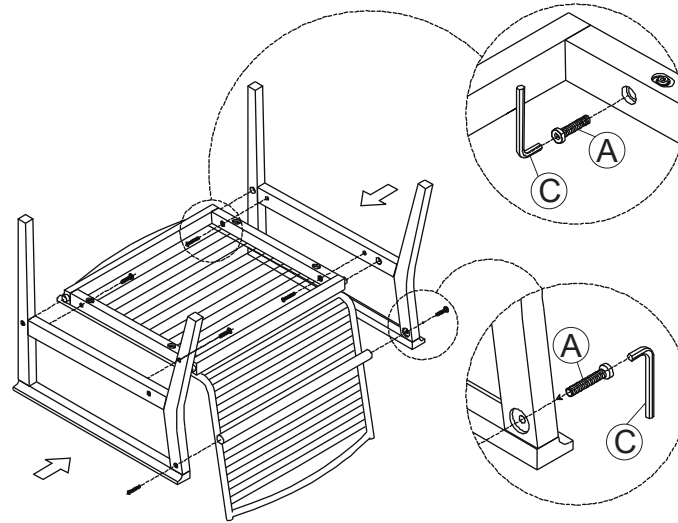
Assembly Instructions & Care:

Please assemble on soft surface after removing contents as not to scratch or damage parts.
Enjoy!

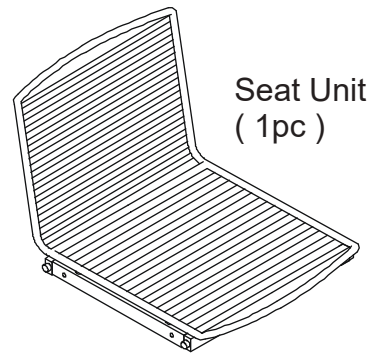
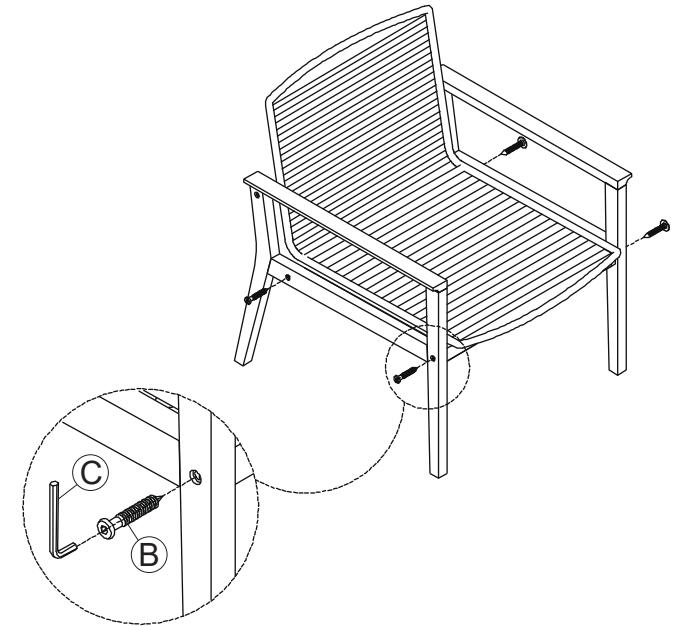
Item	Description	Q'ty
A	 Bolt 6x40	06
B	 Screw 6x50	04
C	 Allen Key	02

STEP 1

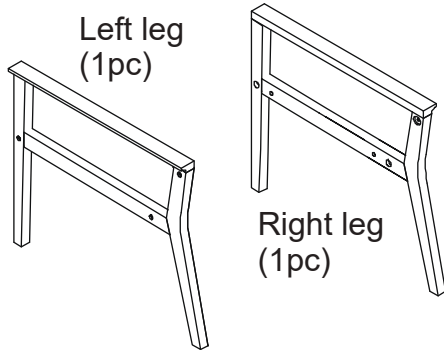
- Put the Right leg, Left leg and support bar into given holes.
- Fasten (6) "A" Bolts.



STEP 2 •Fasten (4) "B" Screws.

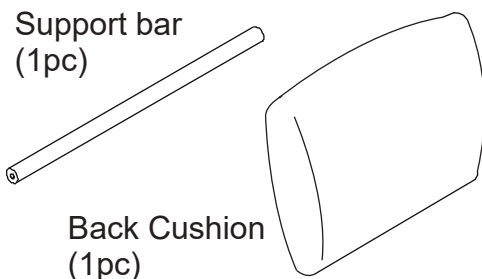


Seat Unit
(1pc)



Left leg
(1pc)

Right leg
(1pc)



Support bar
(1pc)

Back Cushion
(1pc)

STEP 3 •Enjoy!

Assembly Tip: Best to assemble on its side or upside down and do not overtighten bolts until the end after getting various parts assembled and fit.

