

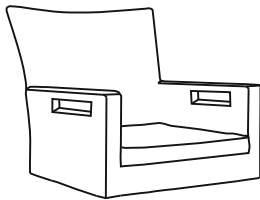


**Assembly Instructions & Care:**


Please assemble on soft surface after removing contents as not to scratch.  
Enjoy!

Item	Description	Q'ty
A	 Screw	08
B	 Allen Key	02


  




Seat Unit  
( 1pc )



Front legs  
( 2pcs )

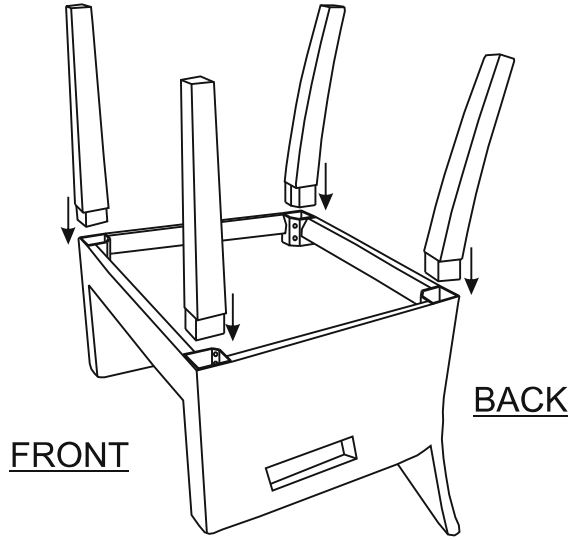


Back legs  
( 2pcs )

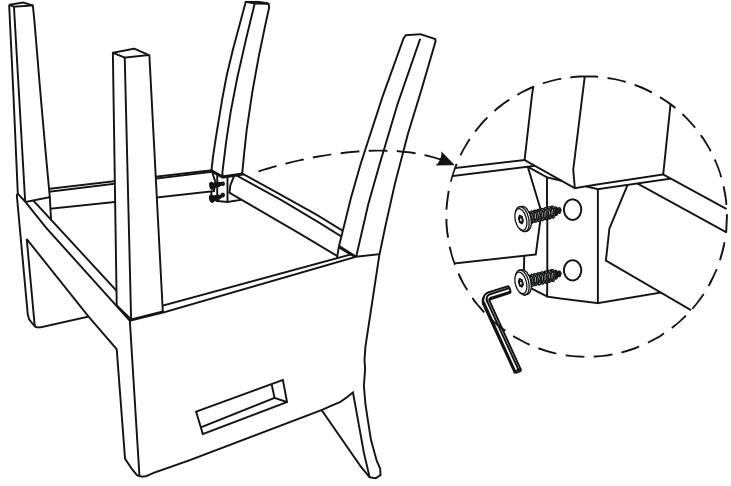


Seat Cushion  
( 1pc )

**STEP 1** •Put the front legs and back legs into given holes.  
•Tap gently with rubber mallet or small hammer.



**STEP 2** •Fasten (8) "A" Screws.



**STEP 3** •Enjoy!

