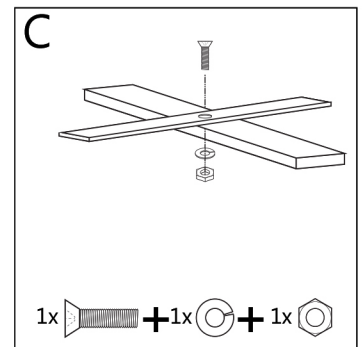
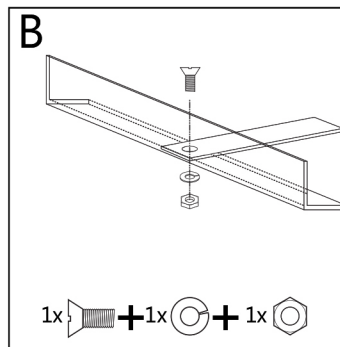
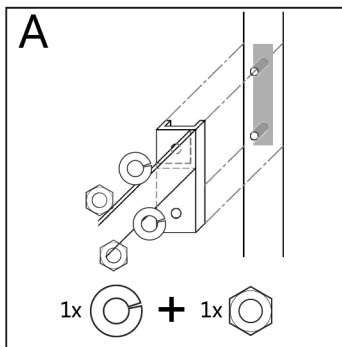


Customer Service - call 800-421-6247

Tools Required

- 9/16" socket or adjustable wrench
- 7/16" socket or adjustable wrench
- Standard Screwdriver
- Philips Screwdriver



1. Attach the side rails to the headboard one at a time so that the flatbar (Cross Support) mounting holes are on the inside of the bed. (See B)
2. Secure the rail to the headboard by slipping a supplied 3/8" lock washer over both bolts and then screwing a 9/16" nut onto bolts. NOTE: It is important to only tighten the nuts finger tight at this point. (See A)
3. Repeat steps 1 & 2 for the footboard.
4. With the countersink holes facing upward, attach the flatbars (cross supports) to the side rails using the 1/4" x 5/8" bolts, 1/4" lock washers and 7/16" hexnuts. (See B)
5. Attach the center support rail to the center of the flatbars using the 1/4" x 1" bolts, 1/4" lock washers and 7/16" hexnuts. (See C)
6. Go back over the bed and tighten all nuts with a wrench, just past a snug fit.
DO NOT OVER TIGHTEN.